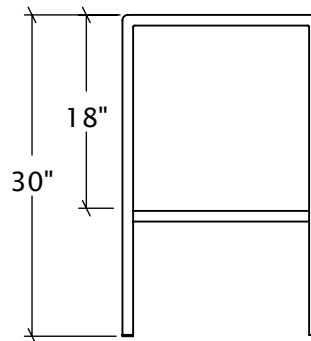
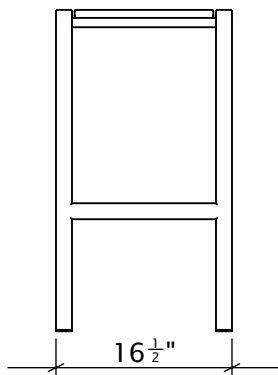
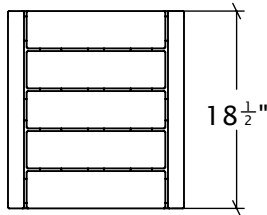


# SAN ANTONIO WOOD BACKLESS BARSTOOL

SAW-BBS

---



---

## Materials, Finishes, and Details

- Backless barstool at 16.5"W, 18.5"D, and 30"H.
- Fabricated from steel with a durable powder-coat finish.
- Wood options include: Kebony, Ipe and Recycled Plastic Lumber.
- Wood is sanded, eased and finished with outdoor penetrating sealer.
- Stainless steel fasteners.
- Approximate weight: 42 lbs.

## To Specify

- Specify SAW-BBS by DM Braun.
- Specify lumber type and powder-coat color.
- For more detail regarding materials and color options visit [www.dmbraunco.com/material-options](http://www.dmbraunco.com/material-options).