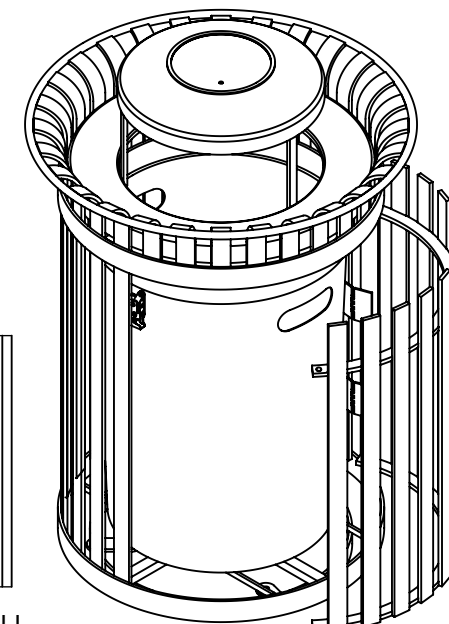
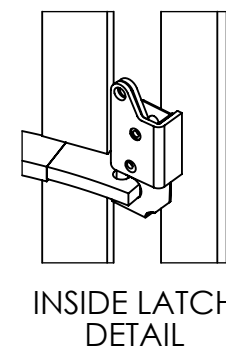
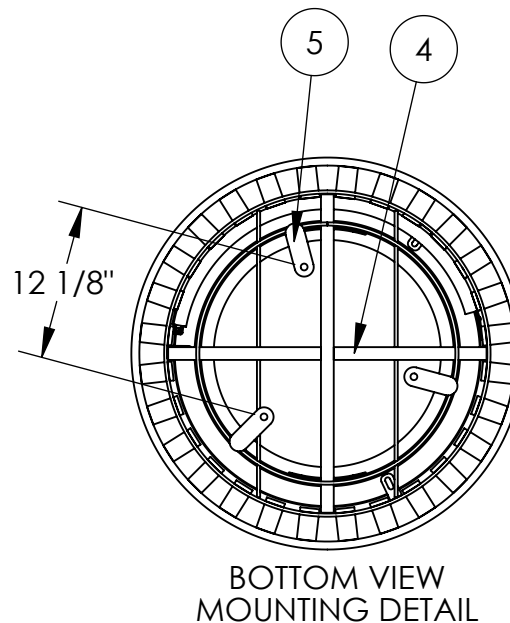
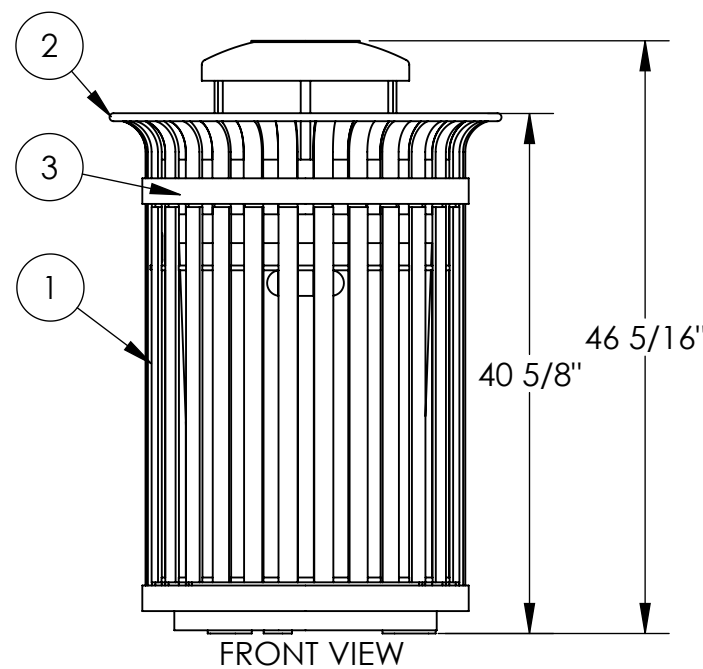
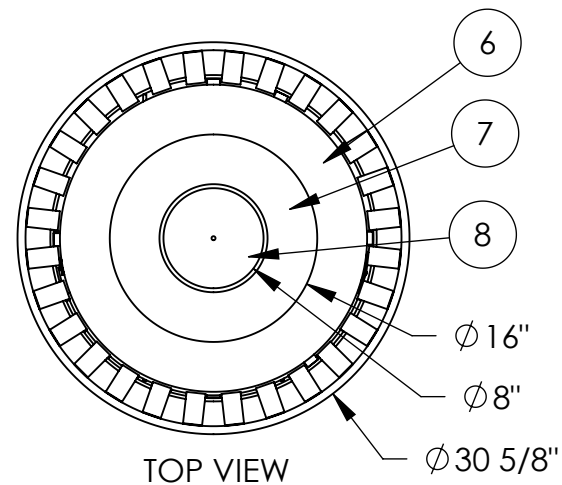
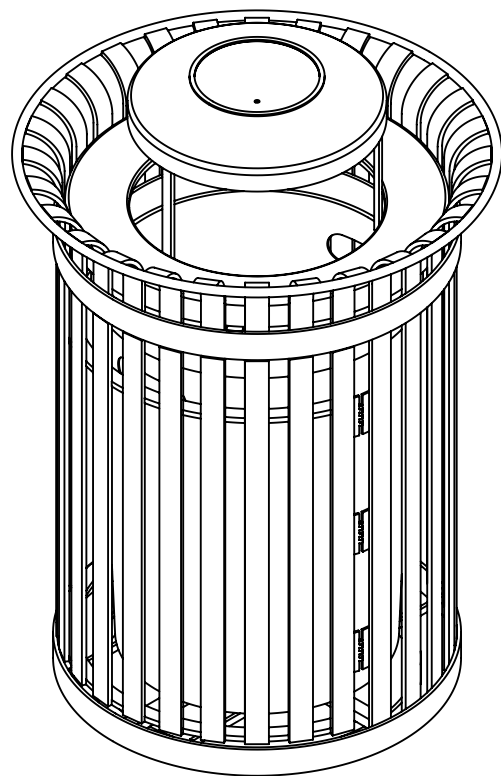




1240 North Van Buren Street - Suite 207
 Anaheim, California 92807 info@dmbranco.com
 www.dmbranco.com
 714-674-0855



Materials List

- (1) Vertical Straps - 5/16" x 1 1/2" Steel Flat Bar
- (2) Top Ring - Ø 5/8" Steel Round Bar
- (3) Support Rings - 1/4" x 2" Steel Flat Bar
- (4) Support Bars - 1/2" x 1" Steel Flat Bar
- (5) Surface Mount Plates - 1/4" x 1 1/2" Stainless Steel Plate with 9/16" Mounting Hole
- (6) Lid - Ø 24" x .075" Wall Steel Lid Attached to Basket with Stainless Steel Airline Cable
- (7) Dome - Ø 16" x .105" Wall Steel Dome
- (8) Ash Inlay - 13 Ga. Stainless Steel Ash Inlay
- (9) Hinged Door With Stainless Steel Latch and Hinges
- (10) Mounted with Three Ø 1/2" x 4-5" Stainless Steel Anchor Bolts (Customer Supplied)
- (11) 36 Gallon Rigid Plastic Liner with Handles Included

| | | | |
|---|--|--|--------------|
| COMMENTS: INCH TOLERANCES U.O.S. FRACTION--±1/16" ANG-----±1° | | 1240 North Van Buren Street - Suite 207 Anaheim, California 92807 info@dmbranco.com www.dmbranco.com | |
| | | Project Name: AVENUE ONE-36 GAL DOME LID ASH INSERT DWG. NO. AVE-LR002-DLAI REV. | |
| THE INFORMATION CONTAINED IN THIS DRAWING IS THE SOLE PROPERTY OF D.M.BRAUN . ANY REPRODUCTION IN PART OR AS A WHOLE WITHOUT THE WRITTEN PERMISSION OF D.M.BRAUN IS PROHIBITED. | | WEIGHT: | SHEET 1 OF 1 |

PROPRIETARY AND CONFIDENTIAL

THE INFORMATION CONTAINED IN THIS DRAWING IS THE SOLE PROPERTY OF D.M.BRAUN . ANY REPRODUCTION IN PART OR AS A WHOLE WITHOUT THE WRITTEN PERMISSION OF D.M.BRAUN IS PROHIBITED.