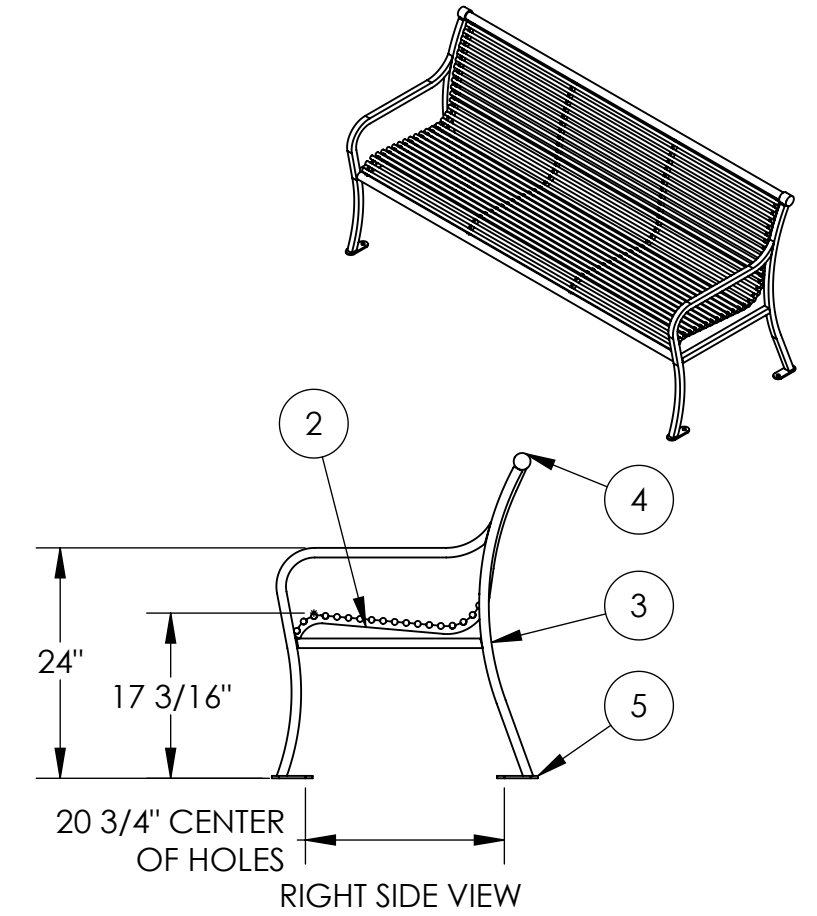
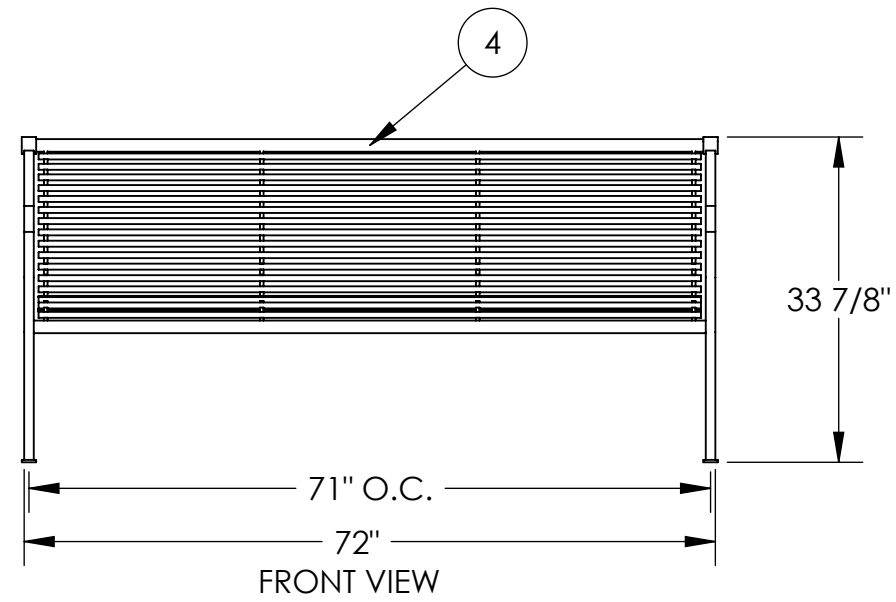
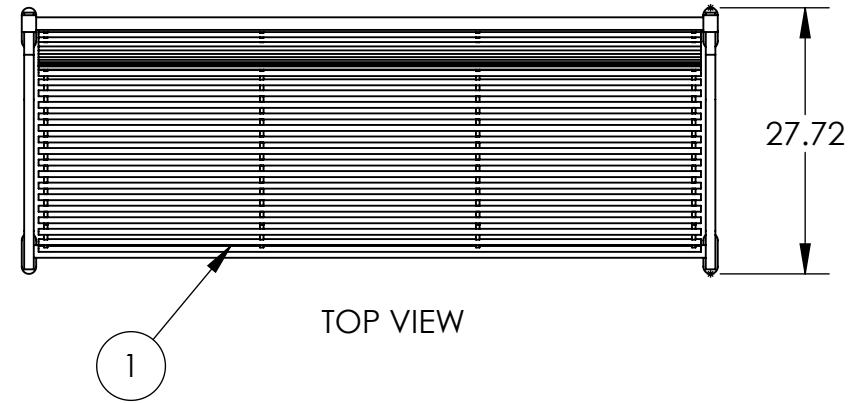
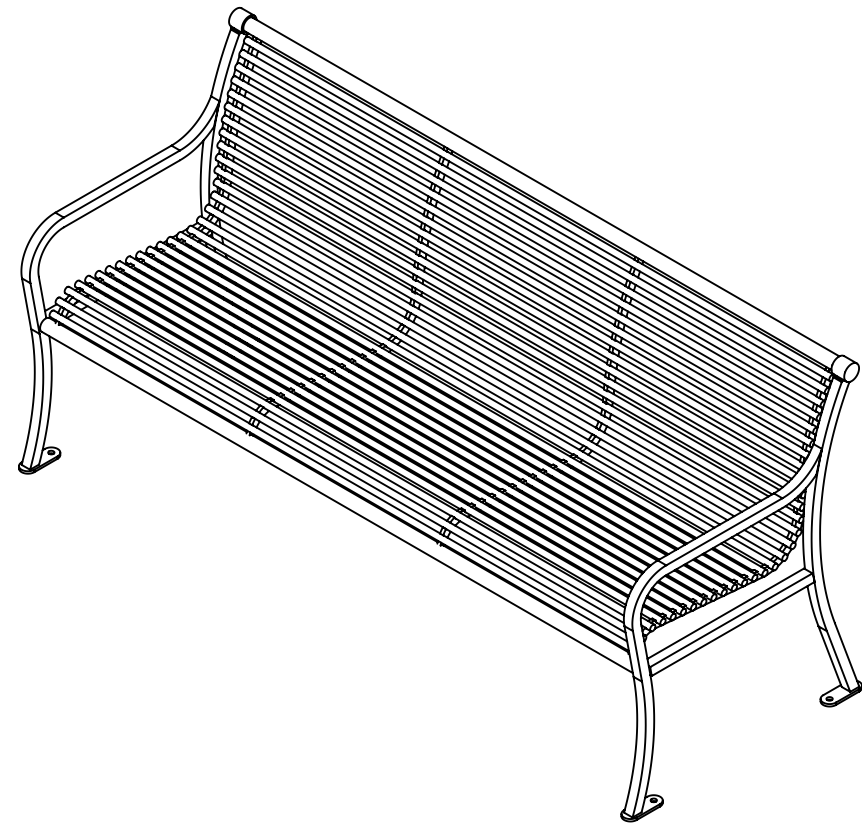




1240 North Van Buren Street - Suite 207
 Anaheim, California 92807 info@dmbraunco.com
 www.dmbraunco.com
 714-674-0855



Materials List

- (1) Seat Straps - ϕ 5/8" Half Round Steel Bar
- (2) Seat Support Straps - 3/8" Laser Cut Sheet Metal
- (3) End Units - 1" Square Solid Steel Bar
- (4) Support Pipes - ϕ 1.315" x .133" Steel Pipe
- (5) Surface Mount Plates - 1/4" x 1 1/2" Stainless Steel Plate With Tapped Mounting Hole
- (6) Mounted with Four ϕ 5/8" x 4-5" Stainless Steel Anchor Bolts (Customer Supplied)

COMMENTS: INCH TOLERANCES U.O.S. FRACTION-- \pm 1/16" ANG----- \pm 1°		Project Name: MONTECITO BACKED-6'	
		DWG. NO. MC001	REV.
WEIGHT:		SHEET 1 OF 1	