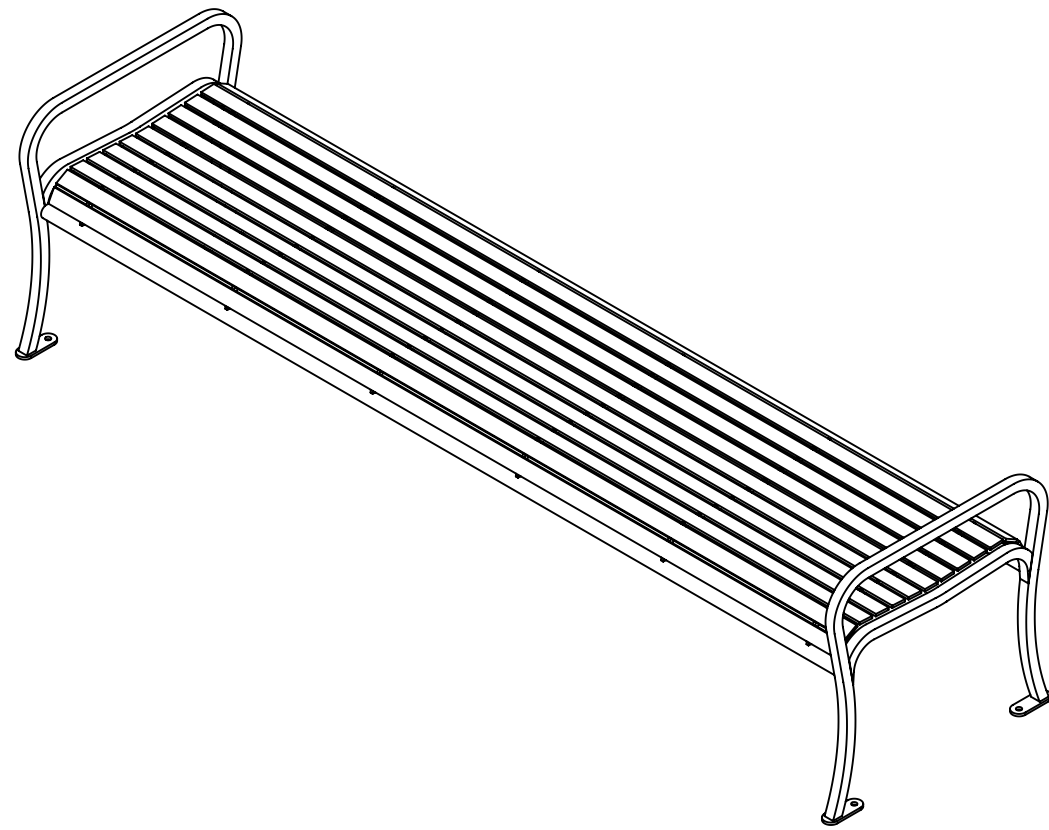


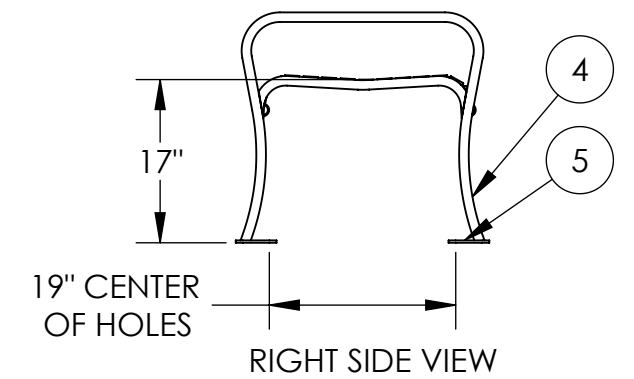
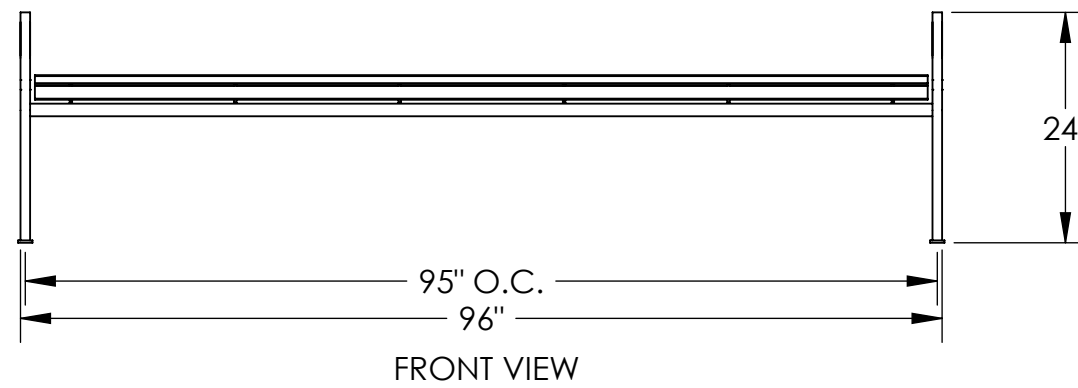
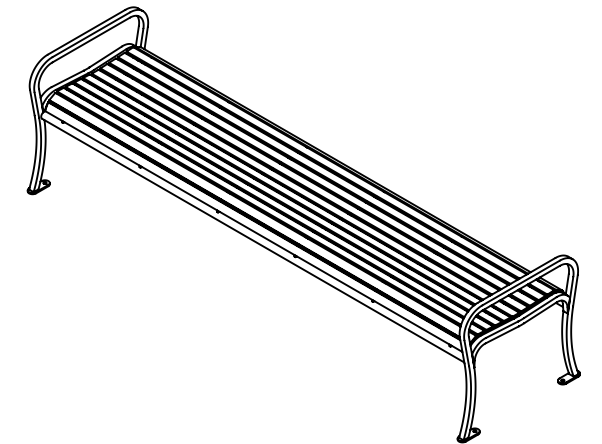
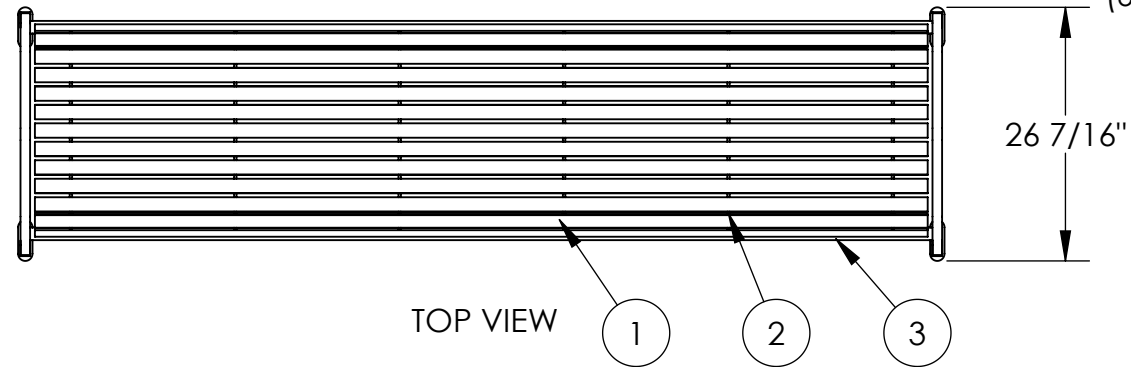


1240 North Van Buren Street - Suite 207
 Anaheim, California 92807 info@dmbraunco.com
 www.dmbraunco.com
 714-674-0855



Materials List

- (1) Seat Straps - 1/4" x 1 1/2" Steel Flat Bar
- (2) Support Straps - 1/4" Sheet Metal
- (3) Support Pipes - ϕ 1.315" x .133" Steel Pipe
- (4) End Units - 1" Square Solid Steel Bar
- (5) Surface Mount Plates - 1/4" x 1 1/2" Stainless Steel Plate With 9/16" Mounting Hole
- (6) Mounted with Four ϕ 1/2" x 4-5" Stainless Steel Anchor Bolts (Customer Supplied)



 D M BRAUN 1240 North Van Buren Street - Suite 207 Anaheim, California 92807 info@dmbraunco.com www.dmbraunco.com	
DWG. Name:	
Project Name: Center Street-8' Backless	
COMMENTS: INCH TOLERANCES U.O.S. FRACTION--1/16" ANG-----1°	SIZE DWG. NO. CS-006
WEIGHT:	REV. SHEET 1 OF 1

PROPRIETARY AND CONFIDENTIAL
 THE INFORMATION CONTAINED IN THIS DRAWING IS THE SOLE PROPERTY OF D.M.BRAUN . ANY REPRODUCTION IN PART OR AS A WHOLE WITHOUT THE WRITTEN PERMISSION OF D.M.BRAUN IS PROHIBITED.