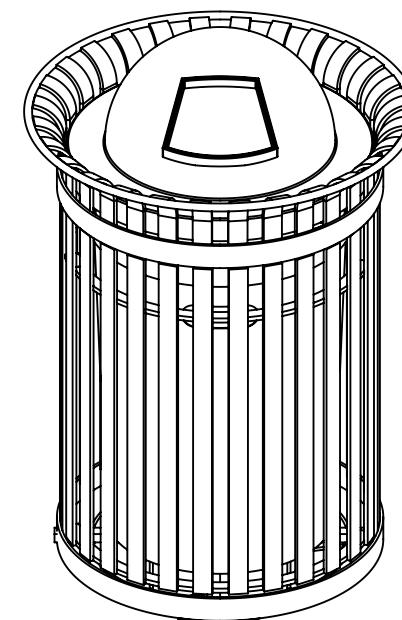
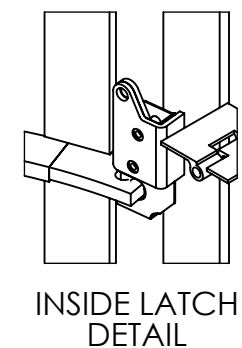
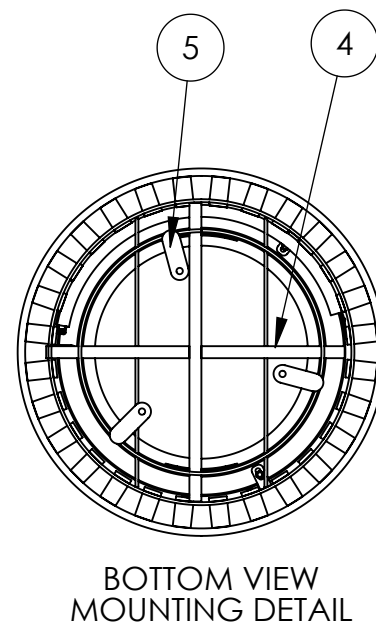
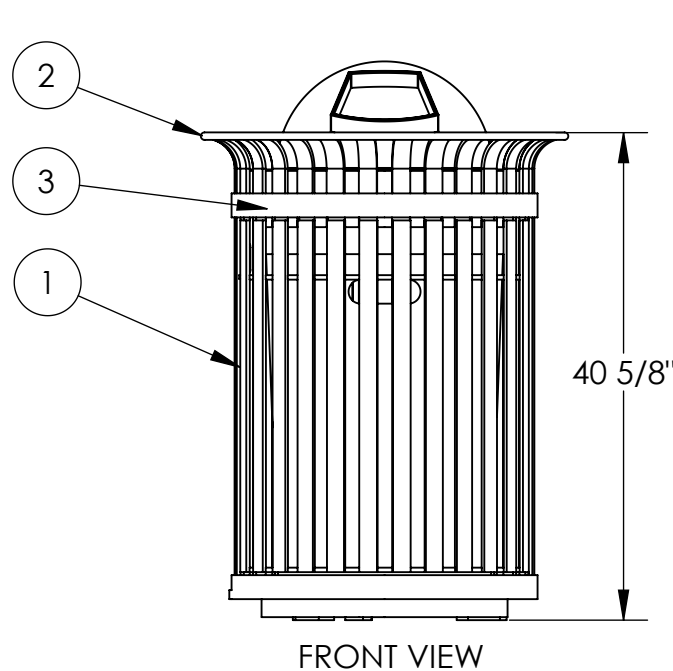
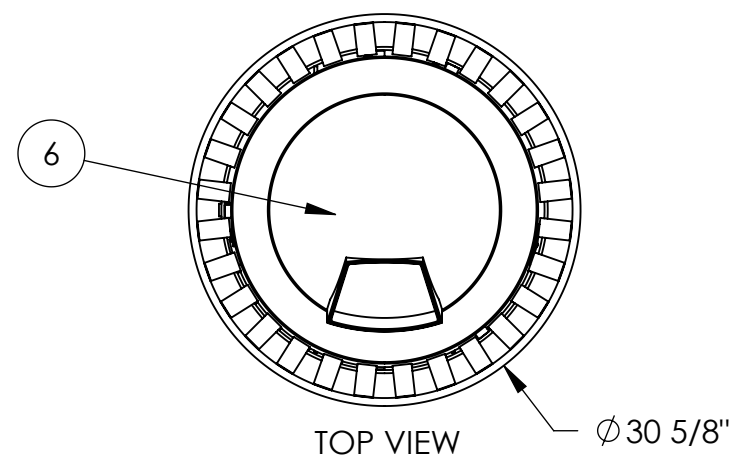
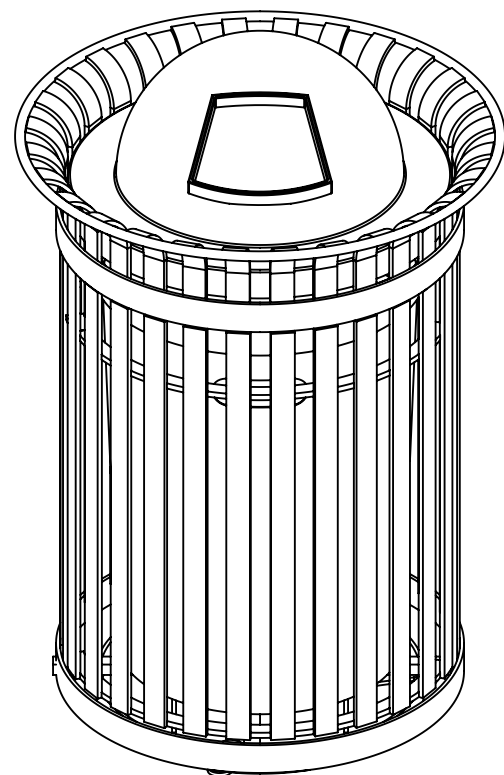




1240 North Van Buren Street - Suite 207  
 Anaheim, California 92807 info@dmbranco.com  
 www.dmbranco.com  
 714-674-0855



Materials List

- (1) Vertical Straps - 5/16" x 1 1/2" Steel Flat Bar
- (2) Top Ring -  $\phi 5/8$ " Steel Round Bar
- (3) Support Rings - 1/4" x 2" Steel Flat Bar
- (4) Support Bars - 1/2" x 1" Steel Flat Bar
- (5) Surface Mount Plates - 1/4" x 1 1/2" Stainless Steel Plate with 9/16" Mounting Hole
- (6) Lid -  $\phi 24$ " with Hinging Door
- (7) Hinged Door With Stainless Steel Latch and Hinges
- (8) Mounted with Three  $\phi 1/2$ " x 4-5" Stainless Steel Anchor Bolts (Customer Supplied)
- (9) 36 Gallon Rigid Plastic Liner with Handles Included

COMMENTS: INCH TOLERANCES U.O.S. FRACTION--1/16" ANG-----1/4"		 1240 North Van Buren Street - Suite 207 Anaheim, California 92807 info@dmbranco.com www.dmbranco.com	
		Project Name: AVENUE ONE-36 GAL FULL ENCLOSED DOME LID	
DWG. Name:		SIZE DWG. NO.	REV.
WEIGHT:		SHEET 1 OF 1	