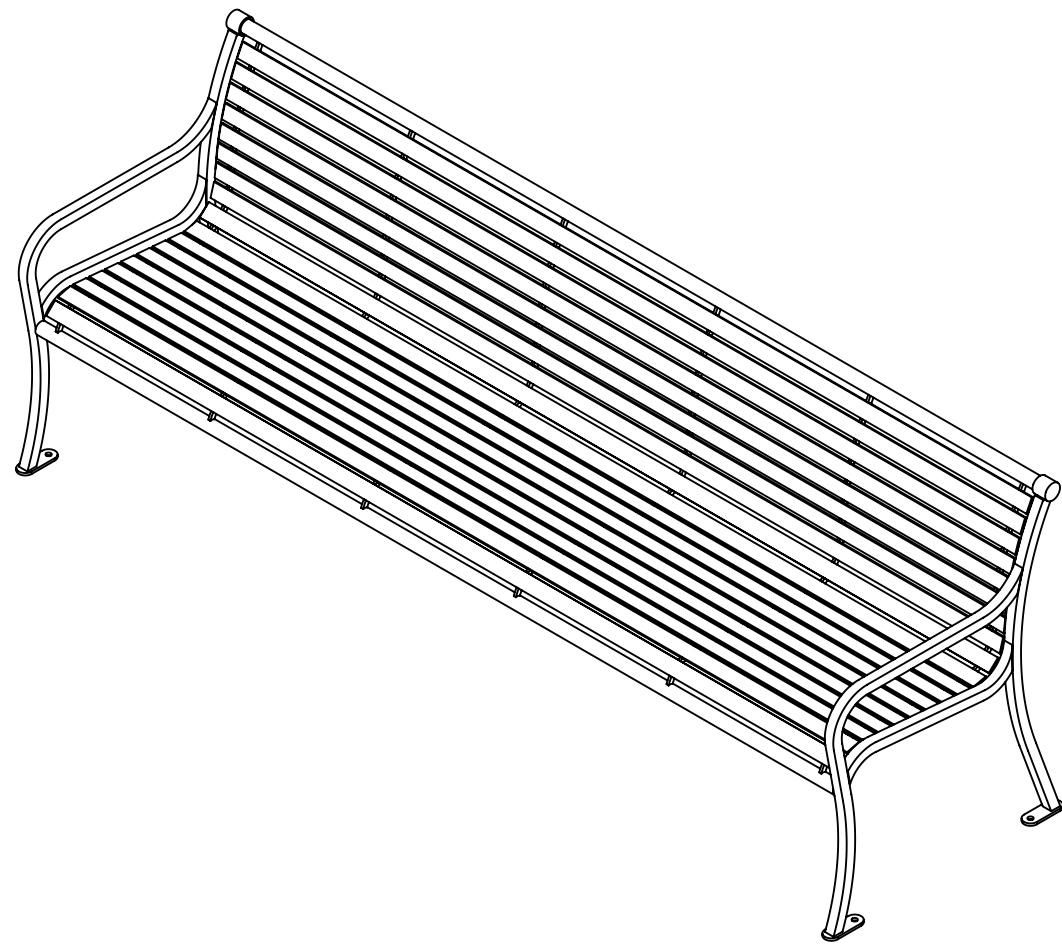
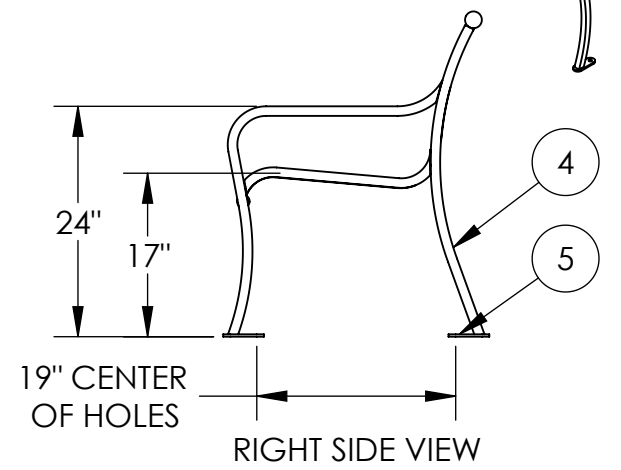
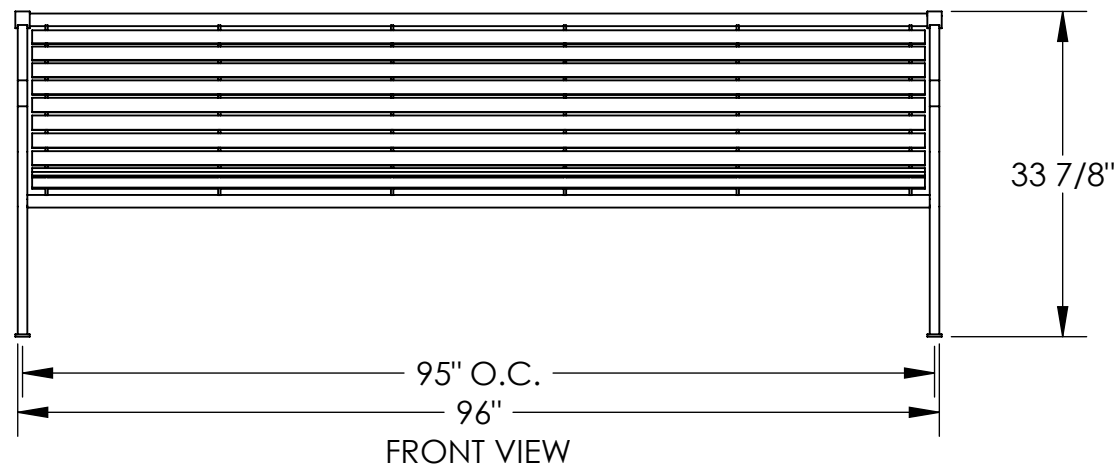
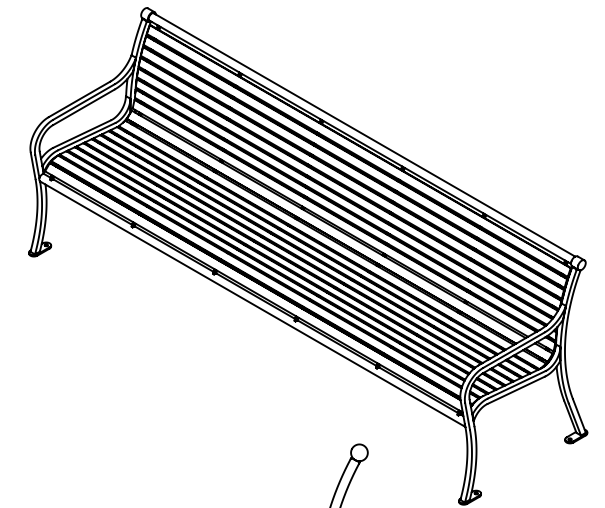
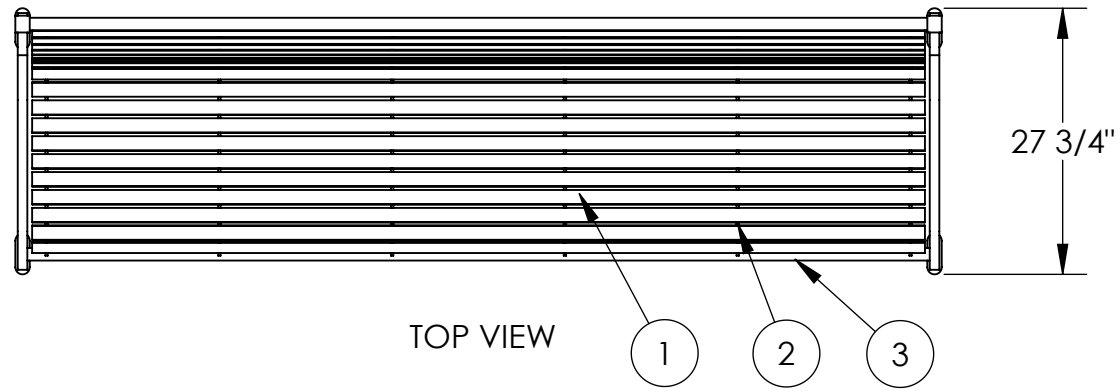




1240 North Van Buren Street - Suite 207  
 Anaheim, California 92807 info@dmbraunco.com  
 www.dmbraunco.com  
 714-674-0855



- Materials List
- (1) Seat Straps - 3/16" x 1 1/2" Steel Flat Bar
  - (2) Support Straps - 1/4" Sheet Metal
  - (3) Support Pipes -  $\phi$  1.315" x .133" Steel Pipe
  - (4) End Units - 1" Square Solid Steel Bar
  - (5) Surface Mount Plates - 1/4" x 1 1/2" Stainless Steel Plate with 9/16" Mounting Hole
  - (6) Mounted with Four  $\phi$  1/2" x 4-5" Stainless Steel Anchor Bolts (Customer Supplied)



COMMENTS: INCH TOLERANCES U.O.S. FRACTION--±1/16" ANG-----±1°		Project Name: Center Street-8' Standard Arms	
		SIZE DWG. NO. CS-004	REV.
WEIGHT:		SHEET 1 OF 1	

PROPRIETARY AND CONFIDENTIAL  
 THE INFORMATION CONTAINED IN THIS DRAWING IS THE SOLE PROPERTY OF D.M.BRAUN . ANY REPRODUCTION IN PART OR AS A WHOLE WITHOUT THE WRITTEN PERMISSION OF D.M.BRAUN IS PROHIBITED.