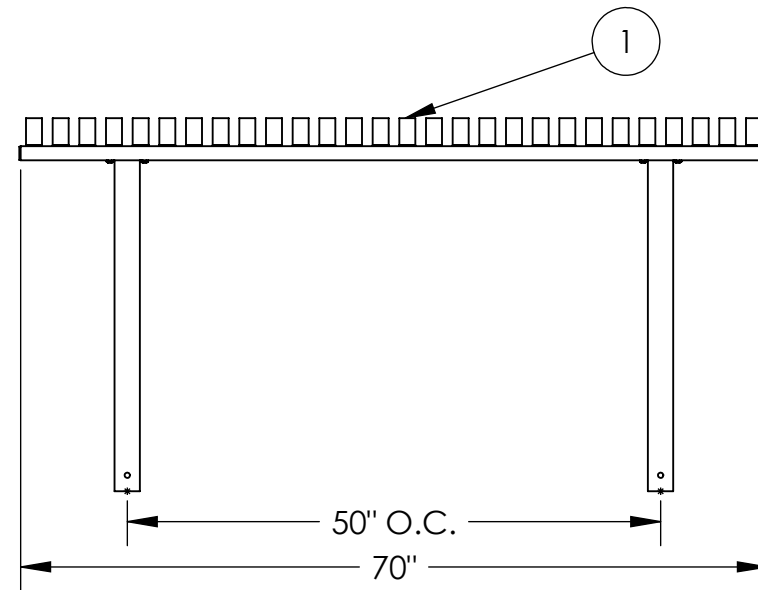


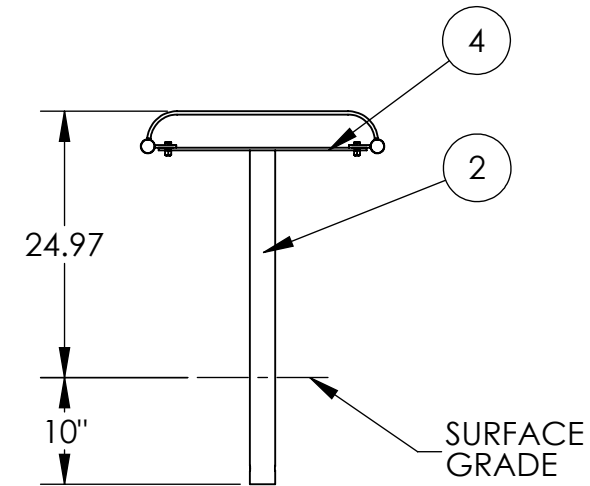
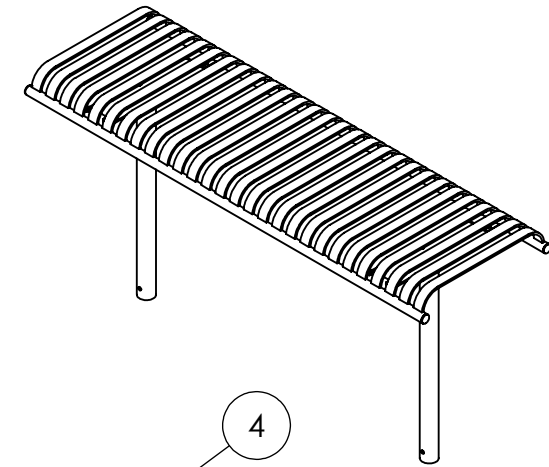
TOP VIEW



FRONT VIEW

Materials List

- (1) Seat Straps - 5/16" x 1 1/2" Steel Flat Bar
- (2) Mounting Pipes -  $\phi$  2 3/8" x .154" Wall Steel Tubing
- (3) Support Pipes -  $\phi$  1.315" x .133" Steel Pipe
- (4) Support Plates - 1/4" Steel Plate



RIGHT SIDE VIEW

NAME	DATE	
DRAWN	01.01.2019	
CHECKED	01.01.2019	
ENG APPR.	01.01.2019	
MFG APPR.	01.01.2019	
SCALE:		DWG. Name:
COMMENTS:	INCH TOLERANCES U.O.S. FRACTION-- $\pm$ 1/16" ANG----- $\pm$ 1°	Project Name: Avenue One Bench- 0007
		SIZE DWG. NO. Ave-007
		REV.
		WEIGHT: 375 lbs
		SHEET 1 OF 1