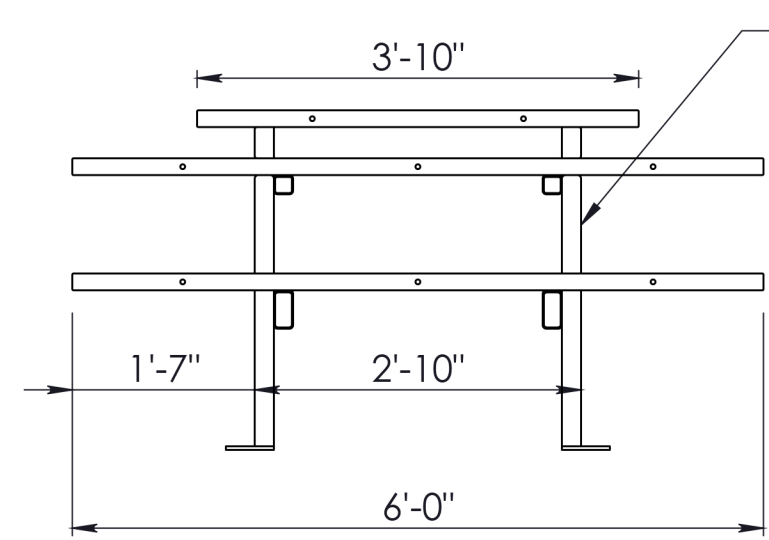


**TOP VIEW**



1/2" ACRYLIC SPACER

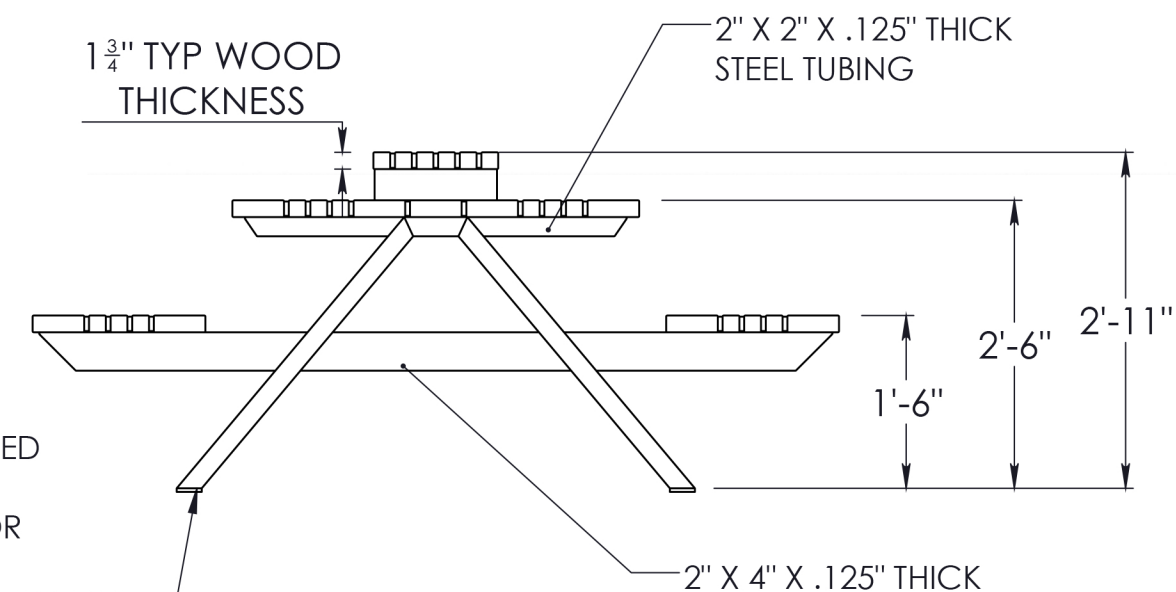
3/8-16 S.S. THREADED ROD, NUT, WASHER. WOOD IS COUNTERBORED AND PLUGGED.



**FRONT VIEW**

POWDERCOATED STEEL FRAME. SPECIFY COLOR.

S.S. POWDERCOATED ANCHOR FEET. 5/8" DIA. HOLES FOR ANCHOR BOLTS. ANCHOR BOLTS BY OTHERS



**SIDE VIEW**

**NOTES:**

- BENCH SLATS ARE MANUFACTURED FROM CLEAR KILN DRIED IPE.
- IPE HAS TWO COATS OF CLEAR PENETRATING SEALER.
- ALL FASTENERS ARE STAINLESS STEEL

**D M BRAUN & COMPANY**  
 1240 N. VAN BUREN ST. SUITE 207  
 ANAHEIM, CA 92807  
 714.674.0855 714.674.0860 FAX  
 INFO@DMBRAUNCO.COM

PROJECT NAME:	<b>ALPINE RECREATION CENTER</b>
DWG NAME:	<b>PICNIC TABLE</b>
DWG NO.	<b>PD-5106A</b>
DRAWN BY:	ROB LUNA, 10.25.18
REVISION NOTES:	UPDATE TO 2018

PROPRIETARY AND CONFIDENTIAL - INFORMATION CONTAINED IN THIS DRAWING IS THE PROPERTY OF D.M.BRAUN. ANY REPRODUCTION IN PART OR AS A WHOLE WITHOUT THE WRITTEN PERMISSION OF D.M.BRAUN IS PROHIBITED.