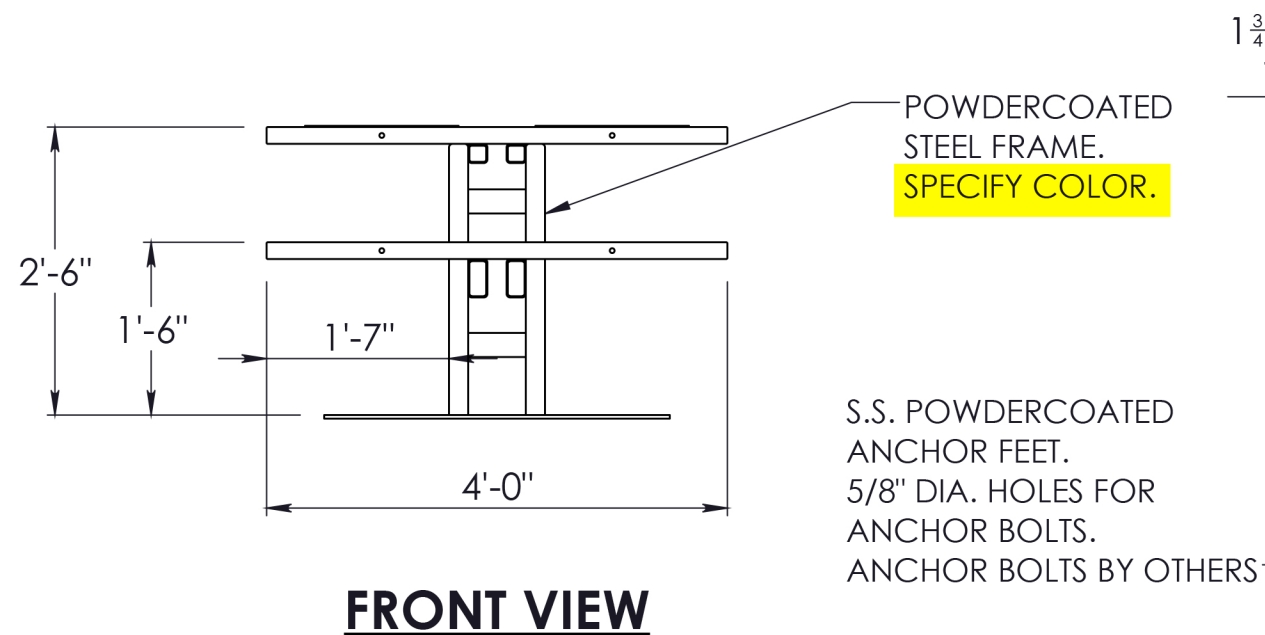
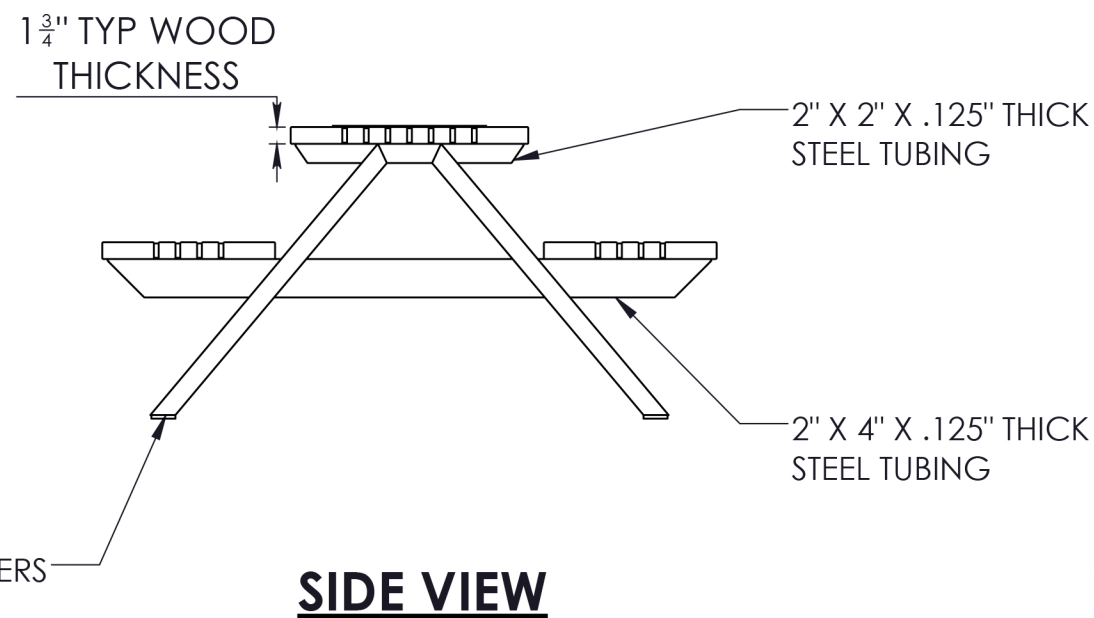


TOP VIEW



FRONT VIEW



NOTES:

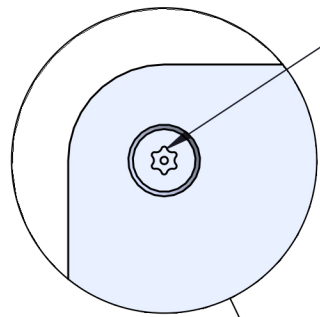
- BENCH SLATS ARE MANUFACTURED FROM CLEAR KILN DRIED IPE.
- IPE HAS TWO COATS OF CLEAR PENETRATING SEALER.
- ALL FASTENERS ARE STAINLESS STEEL

D M BRAUN & COMPANY

1240 N. VAN BUREN ST. SUITE 207
 ANAHEIM, CA 92807
 714.674.0855 714.674.0860 FAX
 INFO@DMBRAUNCO.COM

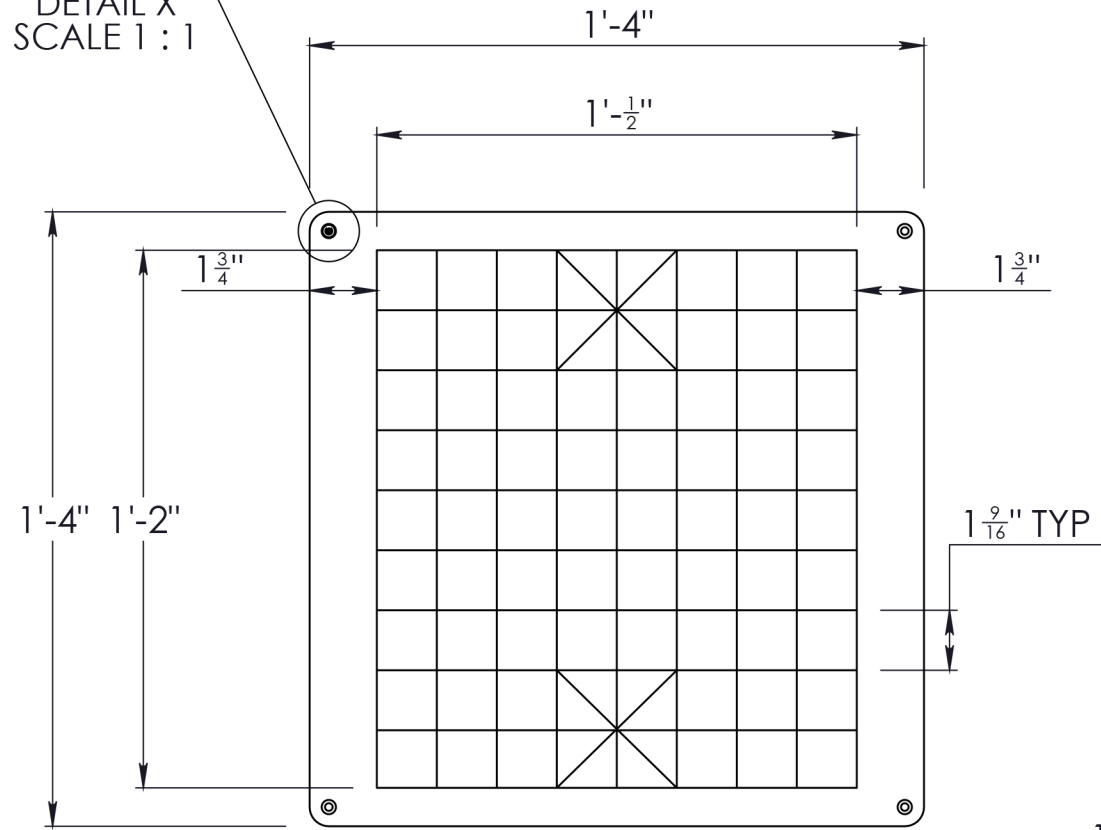
PROJECT NAME:	ALPINE RECREATION CENTER
DWG NAME:	GAME TABLE
DWG NO.	PD-5107A
DRAWN BY:	ROB LUNA, 10.25.18
REVISION NOTES:	UPDATE TO 2018

PROPRIETARY AND CONFIDENTIAL - INFORMATION CONTAINED IN THIS DRAWING IS THE PROPERTY OF D.M.BRAUN. ANY REPRODUCTION IN PART OR AS A WHOLE WITHOUT THE WRITTEN PERMISSION OF D.M.BRAUN IS PROHIBITED.

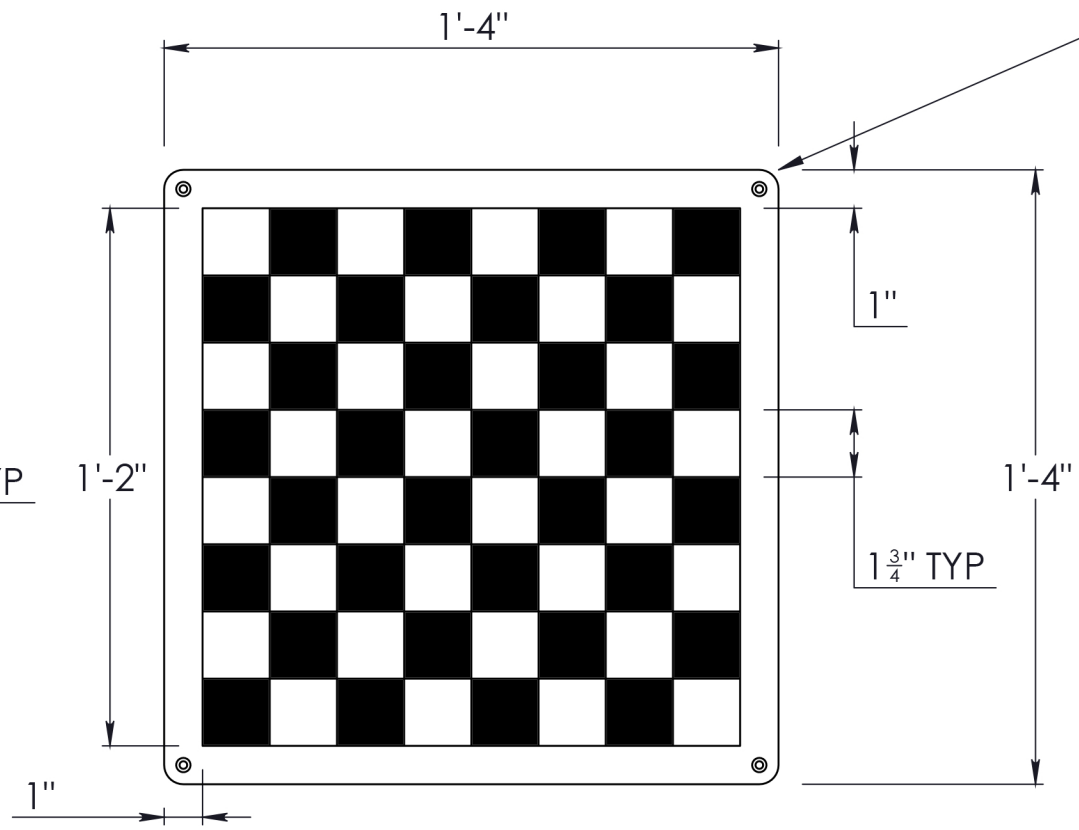


TAMPER PROOF S.S.
#8 PIN-IN TORX SCREW

DETAIL X
SCALE 1 : 1



CHINESE CHESS LAYOUT



CHESS LAYOUT

ALUMINUM GAME BOARD
ARTWORK IS SCREEN PRINTED
INCLUDES SCRATCH RESISTANT CLEAR
DURA-SHIELD UV LAMINATE

DM BRAUN
& COMPANY

1240 N. VAN BUREN ST. SUITE 207
ANAHEIM, CA 92807
714.674.0855 714.674.0860 FAX
INFO@DMBRAUNCO.COM

PROJECT NAME:	ALPINE RECREATION CENTER
DWG NAME:	GAME TABLE
DWG NO.	PD-5107A
DRAWN BY:	ROB LUNA, 10.25.18
REVISION NOTES:	UPDATE TO 2018

PROPRIETARY AND CONFIDENTIAL - INFORMATION CONTAINED IN THIS DRAWING IS THE PROPERTY OF D.M.BRAUN. ANY REPRODUCTION IN PART OR AS A WHOLE WITHOUT THE WRITTEN PERMISSION OF D.M.BRAUN IS PROHIBITED.