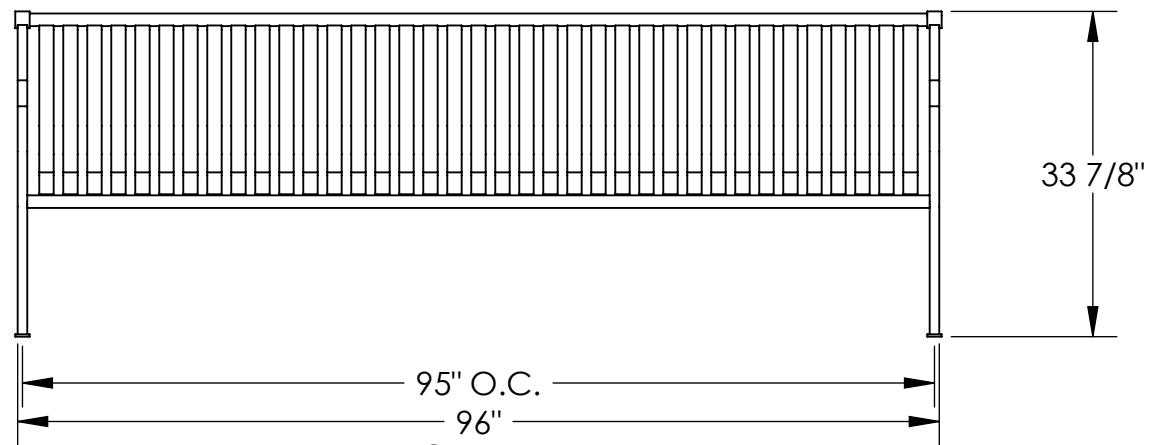


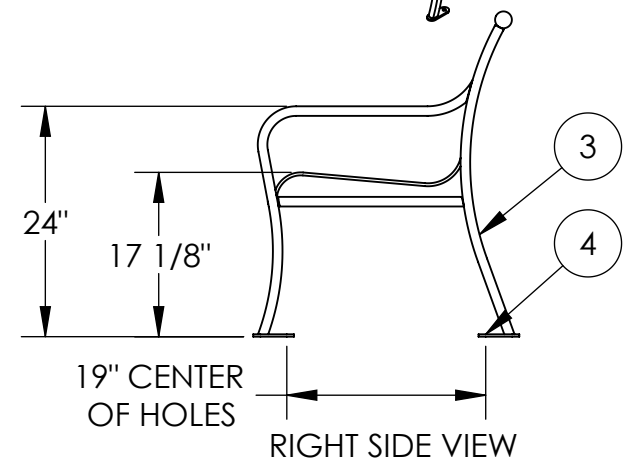
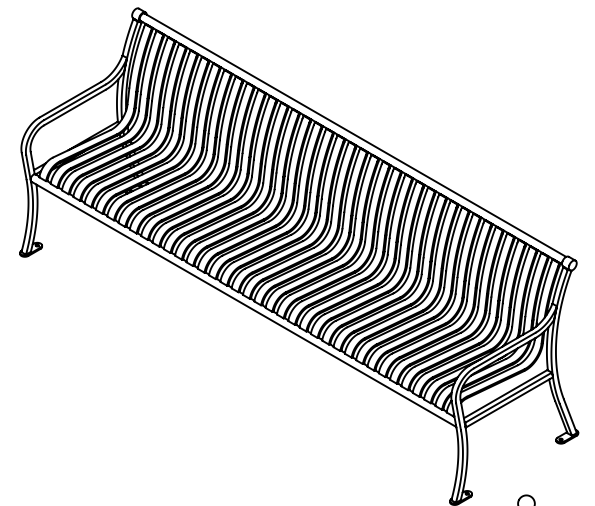
TOP VIEW



FRONT VIEW

Materials List

- (1) Seat Straps - 5/16" x 1 1/2" Steel Flat Bar
- (2) Support Pipes - ϕ 1.315" x .133" Steel Pipe
- (3) End Units - 1" Square Solid Steel Bar
- (4) Surface Mount Plates - 1/4" x 1 1/2" Stainless Steel Plate with 9/16" Mounting Hole
- (5) Mounted with Four ϕ 1/2" x 4-5" Stainless Steel Anchor Bolts (Customer Supplied)



NAME	DATE	
DRAWN	01.01.2019	
CHECKED	01.01.2019	
ENG APPR.	01.01.2019	
MFG APPR.	01.01.2019	
SCALE:		DWG. Name:
COMMENTS:	INCH TOLERANCES U.O.S. FRACTION-- \pm 1/16" ANG----- \pm 1°	Project Name: Avenue One Bench- 0009
		SIZE DWG. NO. Ave-009 REV.
		WEIGHT: 450 lbs SHEET 1 OF 1