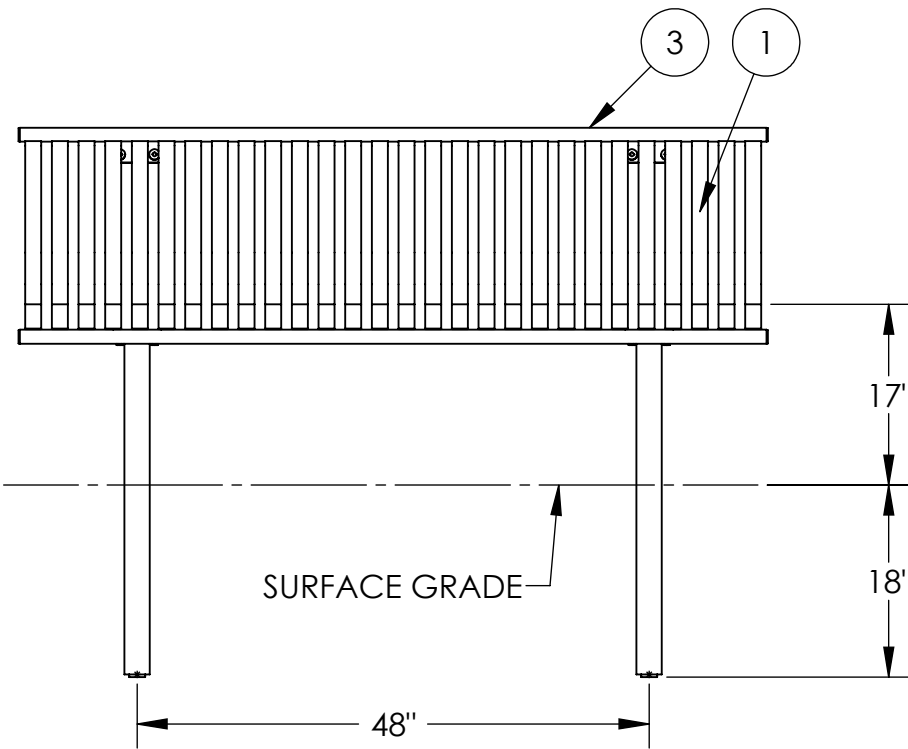


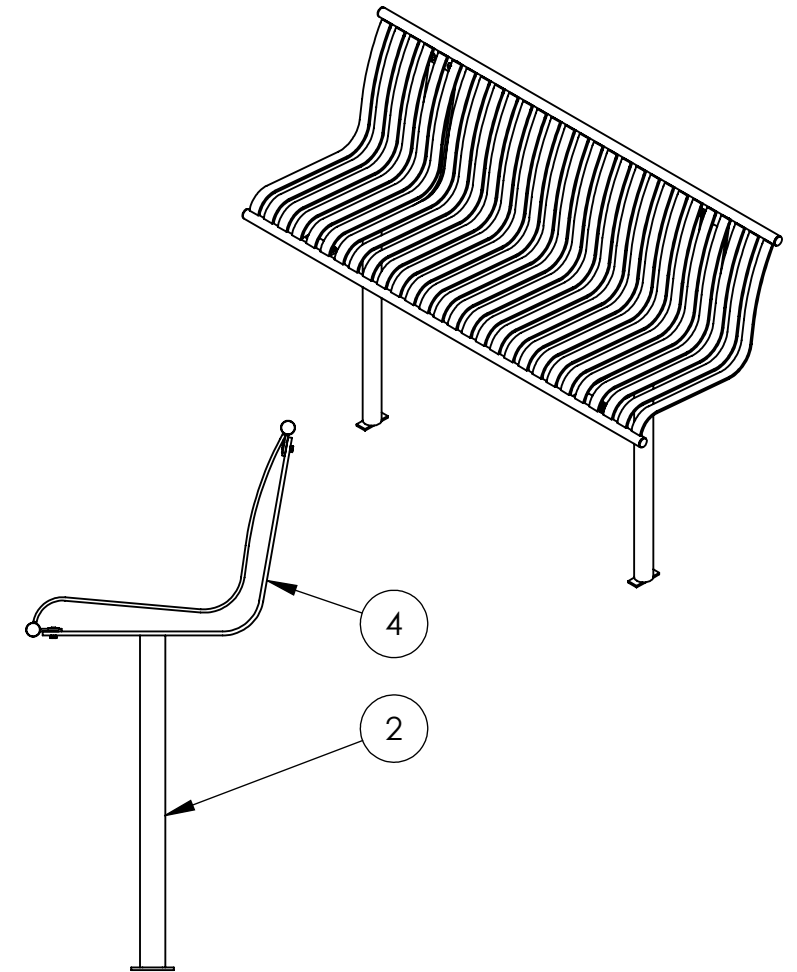
TOP VIEW



FRONT VIEW

Materials List

- (1) Seat Straps - 5/16" x 1 1/2" Steel Flat Bar
- (2) Mounting Pipes -  $\phi$  2 3/8" x .154" Wall Steel Pipe
- (3) Support Pipes -  $\phi$  1.315" x .133" Steel Pipe
- (4) Support Straps - 3/8" x 4 1/2" Steel Flat Bar



RIGHT SIDE VIEW

NAME	DATE	
DRAWN	01.01.2019	
CHECKED	01.01.2019	
ENG APPR.	01.01.2019	
MFG APPR.	01.01.2019	
SCALE:		DWG. Name:
COMMENTS:	INCH TOLERANCES U.O.S. FRACTION--±1/16" ANG-----±1°	Project Name: Avenue One Bench- 0003
		SIZE DWG. NO. Ave-003
		WEIGHT: 375 lbs
		SHEET 1 OF 1

PROPRIETARY AND CONFIDENTIAL  
 THE INFORMATION CONTAINED IN THIS DRAWING IS THE SOLE PROPERTY OF D.M.BRAUN . ANY REPRODUCTION IN PART OR AS A WHOLE WITHOUT THE WRITTEN PERMISSION OF D.M.BRAUN IS PROHIBITED.