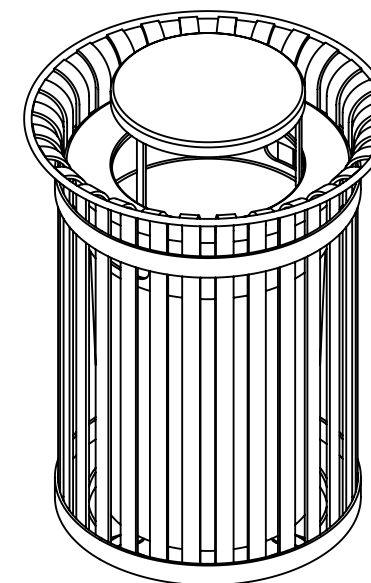
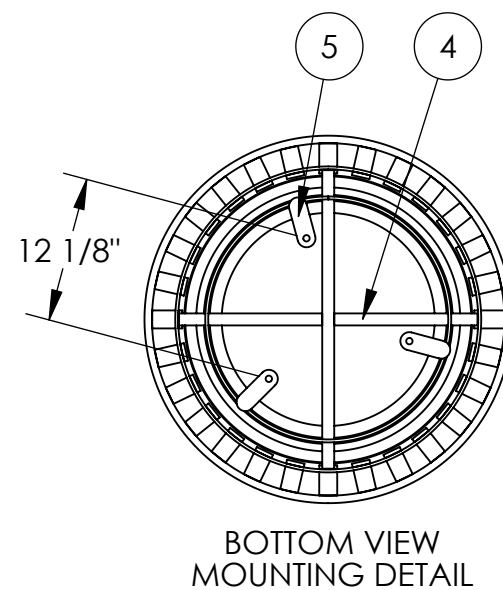
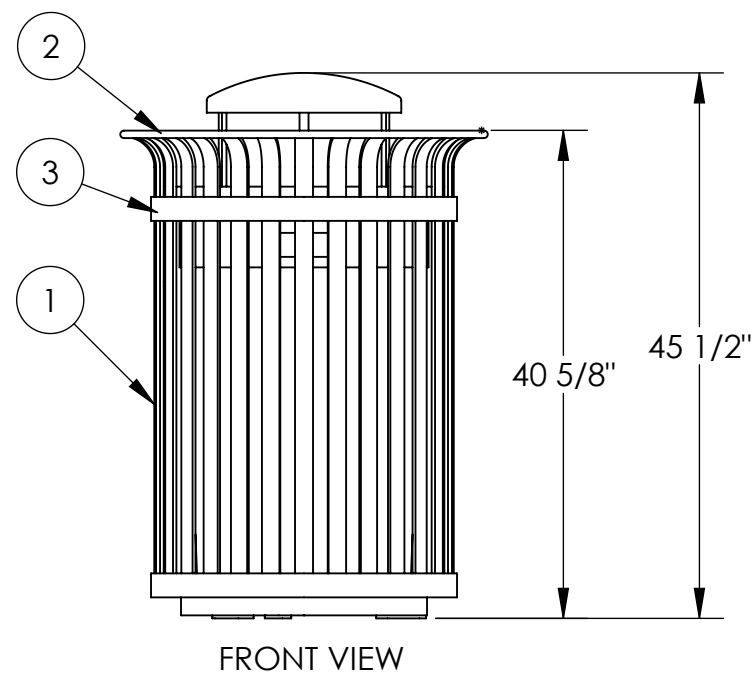
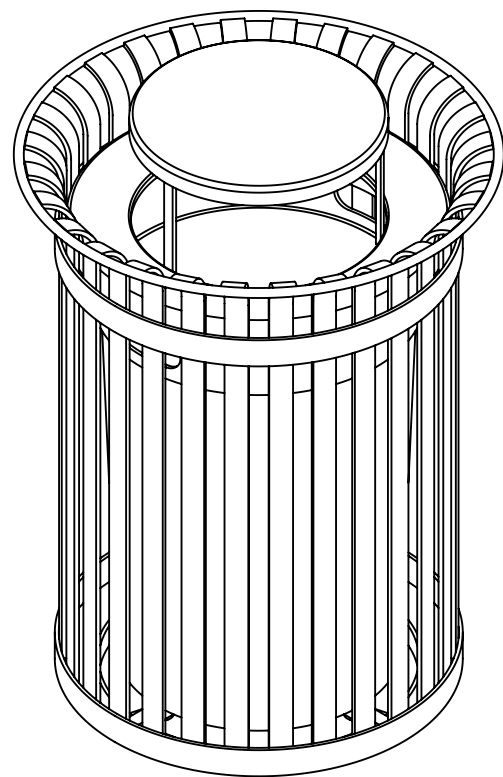
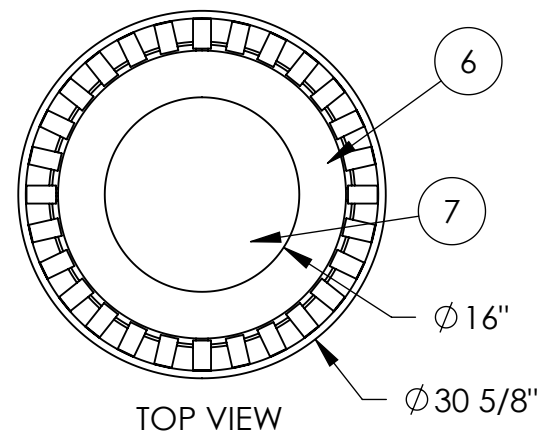




1240 North Van Buren Street - Suite 207  
 Anaheim, California 92807 info@dmbraunco.com  
 www.dmbraunco.com  
 714-674-0855

Materials List

- (1) Vertical Straps - 5/16" x 1 1/2" Steel Flat Bar
- (2) Top Ring -  $\phi$  5/8" Steel Round Bar
- (3) Support Rings - 1/4" x 2" Steel Flat Bar
- (4) Support Bars - 1/2" x 1" Steel Flat Bar
- (5) Surface Mount Plates - 1/4" x 1 1/2" Stainless Steel Plate with 9/16" Mounting Hole
- (6) Lid -  $\phi$  24" x .075" Wall Steel Lid Attached to Basket with Stainless Steel Airline Cable
- (7) Dome -  $\phi$  16" x .105" Wall Steel Dome
- (8) Mounted with Three  $\phi$  1/2" x 4-5" Stainless Steel Anchor Bolts (Customer Supplied)
- (9) 40 Gallon Rigid Plastic Liner with Handles Included



|   |  |  |                                  |       |
|---|--|--|----------------------------------|-------|
| COMMENTS: INCH TOLERANCES U.O.S.<br>FRACTION-- $\pm 1/16''$<br>ANG----- $\pm 1^\circ$ |  | <br>1240 North Van Buren Street - Suite 207<br>Anaheim, California 92807 info@dmbraunco.com<br>www.dmbraunco.com |                                  |       |
|   |  | Project Name: AVENUE ONE-40 GAL DOME LID   |                                  |       |
| DWG. Name:  |  | SIZE:  | DWG. NO.:<br><b>AVE-LR001-DL</b> | REV.: |
| WEIGHT:   |  | SHEET 1 OF 1   |                                  |       |