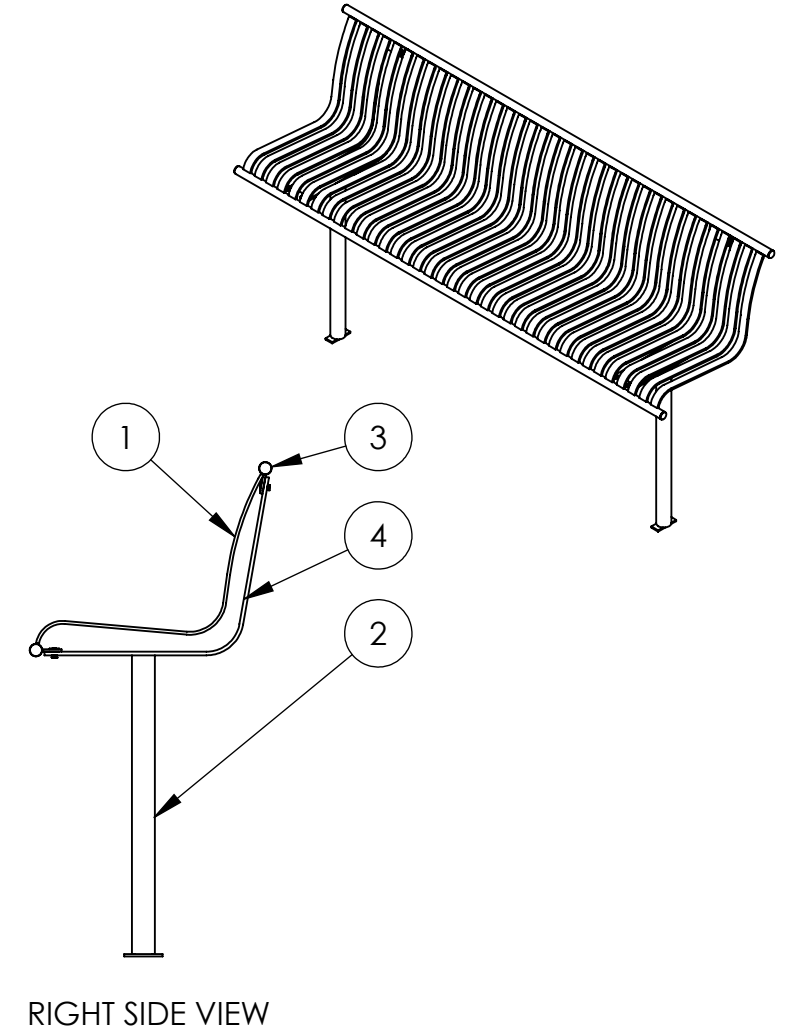


- MATERIALS LIST:
 (1) Seat Straps - 5/16" x 1 1/2" Steel Flat Bar
 (2) Mounting Pipes - ϕ 2 3/8" x .154" Wall Steel Tubing
 (3) Support Pipes - ϕ 1.315" x .133" Steel Pipe
 (4) Support Straps - 3/8" x 4 1/2" Steel Flat Bar



NAME	DATE	
DRAWN	01.01.2019	
CHECKED	01.01.2019	
ENG APPR.	01.01.2019	
MFG APPR.	01.01.2019	
SCALE:		DWG. Name:
COMMENTS:	INCH TOLERANCES U.O.S. FRACTION--±1/16" ANG-----±1°	Project Name: Avenue One Bench- 0011
		SIZE DWG. NO. Ave-011
		WEIGHT: 450 lbs
		SHEET 1 OF 1

PROPRIETARY AND CONFIDENTIAL
 THE INFORMATION CONTAINED IN THIS DRAWING IS THE SOLE PROPERTY OF D.M.BRAUN . ANY REPRODUCTION IN PART OR AS A WHOLE WITHOUT THE WRITTEN PERMISSION OF D.M.BRAUN IS PROHIBITED.