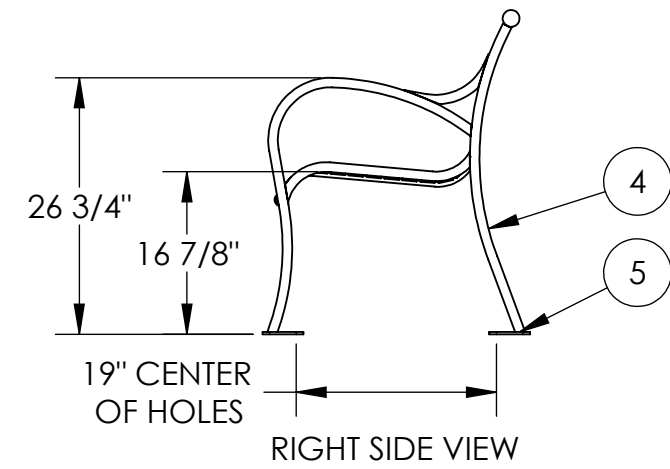
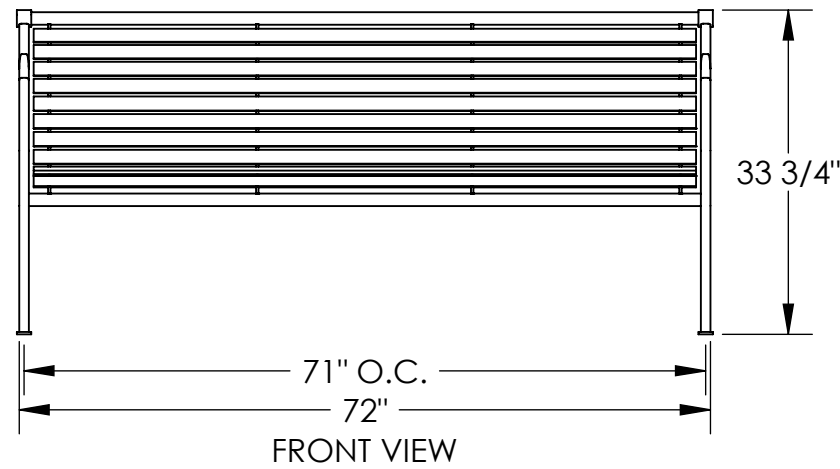
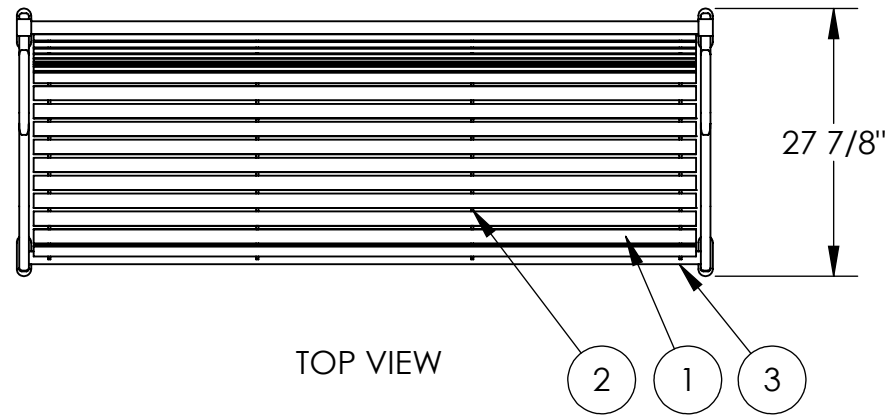
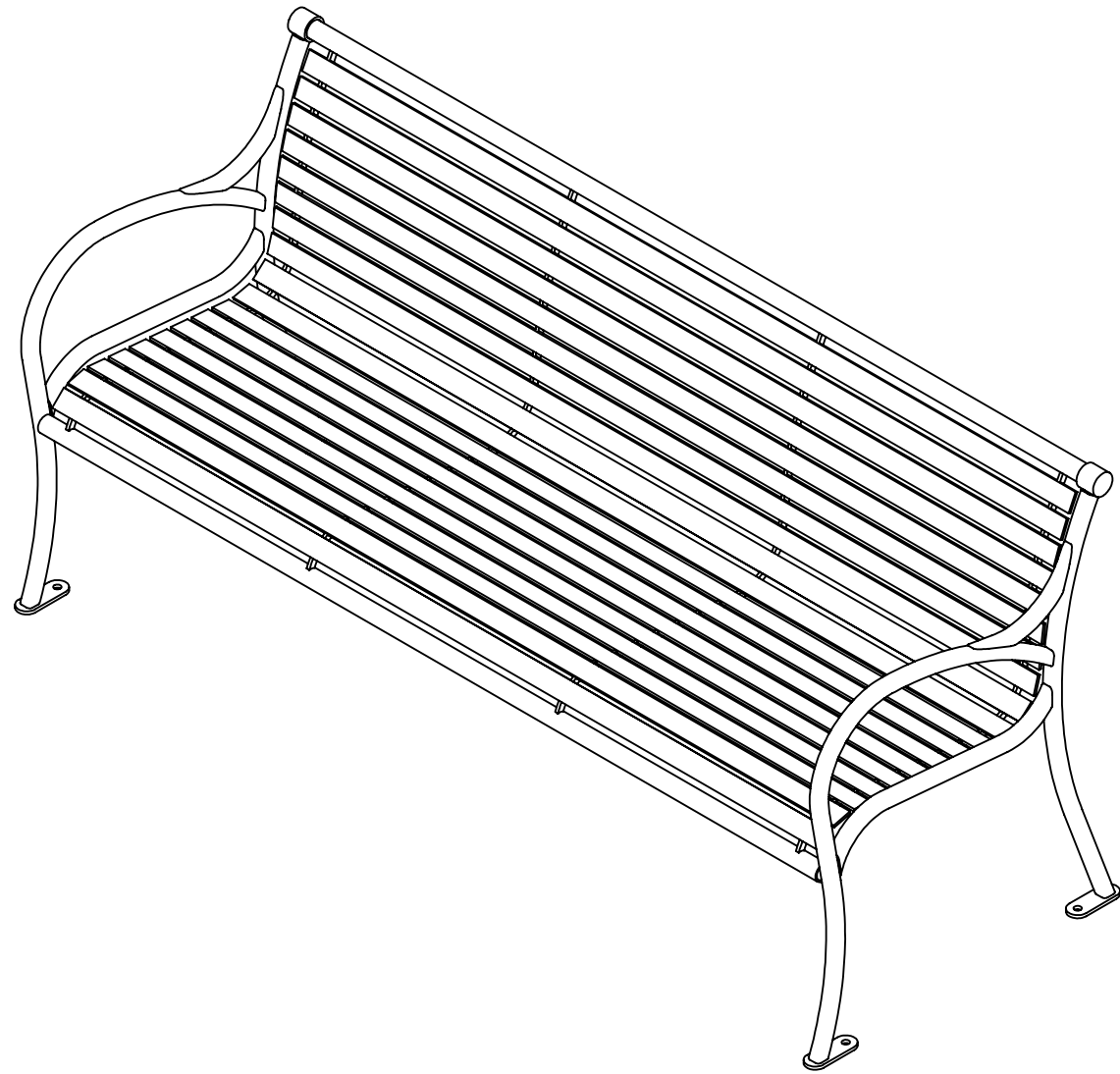
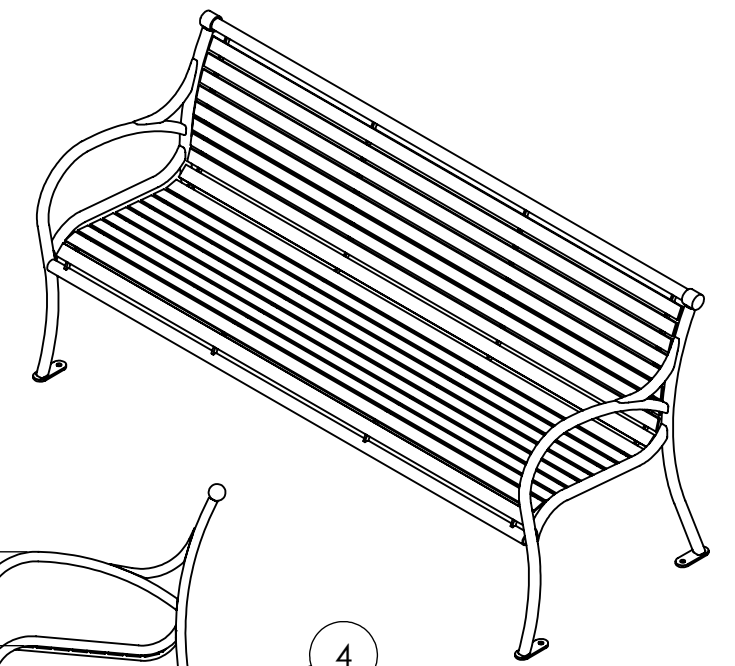




1240 North Van Buren Street - Suite 207
 Anaheim, California 92807 info@dmbraunco.com
 www.dmbraunco.com
 714-674-0855



- Materials List
- (1) Seat Straps - 1/4" x 1 1/2" Steel Flat Bar
 - (2) Support Straps - 1/4" Sheet Metal
 - (3) Support Pipes - ϕ 1.315" x .133" Steel Pipe
 - (4) End Units - 1" Square Steel Tubing
 - (5) Surface Mount Plates - 1/4" x 1 1/2" Stainless Steel Plate with 9/16" Mounting Hole
 - (6) Mounted with Four ϕ 1/2" x 4-5" Stainless Steel Anchor Bolts (Customer Supplied)



COMMENTS: INCH TOLERANCES U.O.S. FRACTION--±1/16" ANG-----±1°		 1240 North Van Buren Street - Suite 207 Anaheim, California 92807 info@dmbraunco.com www.dmbraunco.com	
		Project Name: Center Street-6' Rounded Arms	
DWG. Name:	SIZE DWG. NO.	CS-002	REV.
WEIGHT:	SHEET 1 OF 1		

PROPRIETARY AND CONFIDENTIAL

THE INFORMATION CONTAINED IN THIS DRAWING IS THE SOLE PROPERTY OF D.M.BRAUN . ANY REPRODUCTION IN PART OR AS A WHOLE WITHOUT THE WRITTEN PERMISSION OF D.M.BRAUN IS PROHIBITED.