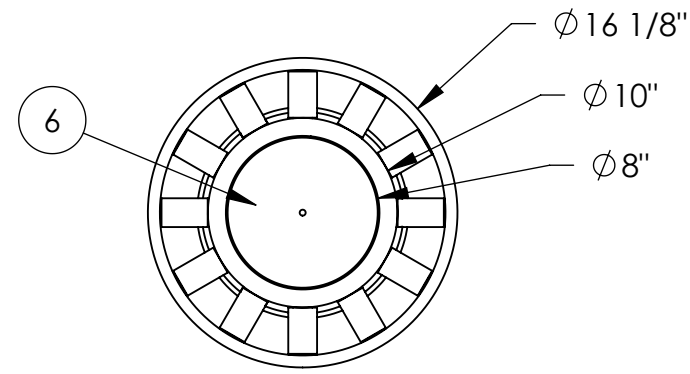
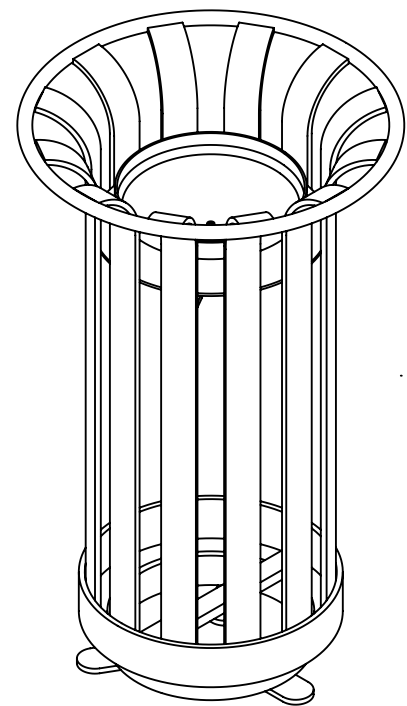
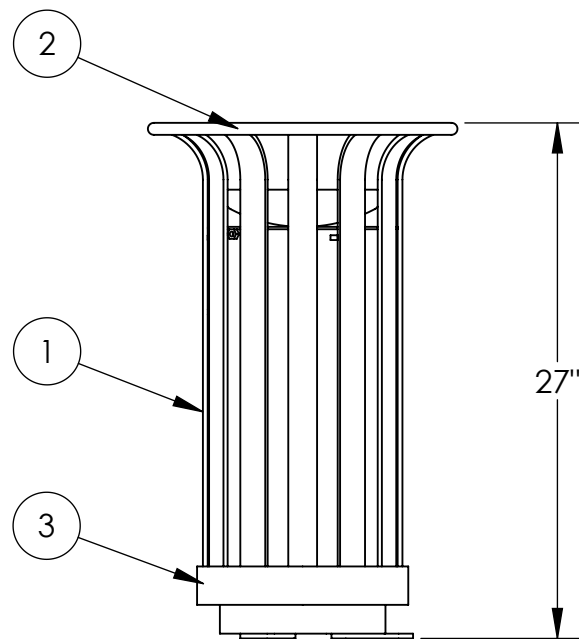




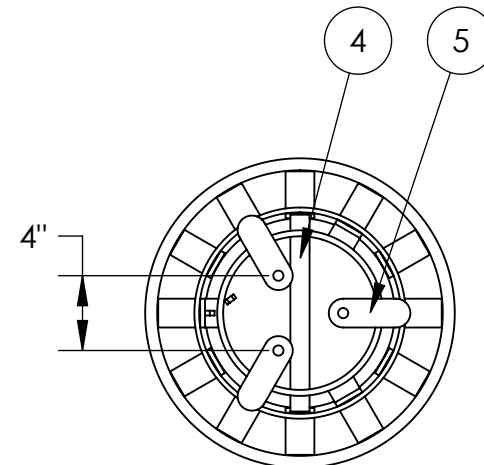
1240 North Van Buren Street - Suite 207
 Anaheim, California 92807 info@dmbranco.com
 www.dmbranco.com
 714-674-0855



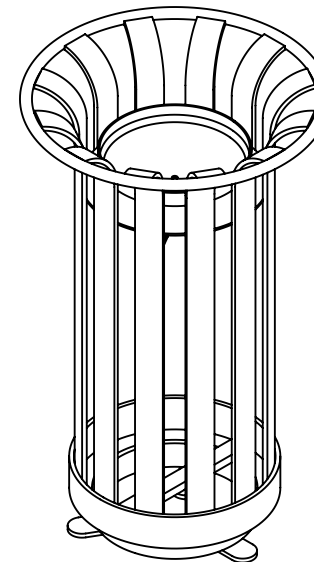
TOP VIEW



FRONT VIEW



BOTTOM VIEW
MOUNTING DETAIL



Materials List

- (1) Vertical Straps - 1/4" x 1 1/2" Steel Flat Bar
- (2) Top Ring - ϕ 5/8" Steel Round Bar
- (3) Support Ring - 1/4" x 2" Steel Flat Bar
- (4) Support Bars - 1/2" x 1" Steel Flat Bar
- (5) Surface Mount Plates - 1/4" x 1 1/2" Stainless Steel Plate with 9/16" Mounting Hole
- (6) Ash Inlay - 13 Ga. Stainless Steel Ash Inlay
- (7) Mounted with Three ϕ 1/2" x 4-5" Stainless Steel Anchor Bolts (Customer Supplied)

COMMENTS: INCH TOLERANCES U.O.S. FRACTION--1/16" ANG-----1°		 1240 North Van Buren Street - Suite 207 Anaheim, California 92807 info@dmbranco.com www.dmbranco.com		
		Project Name: AVENUE ONE SERIES ASH URN		
DWG. Name:		SIZE:	DWG. NO.: AVE001-AU	REV.:
WEIGHT:		SHEET 1 OF 1		