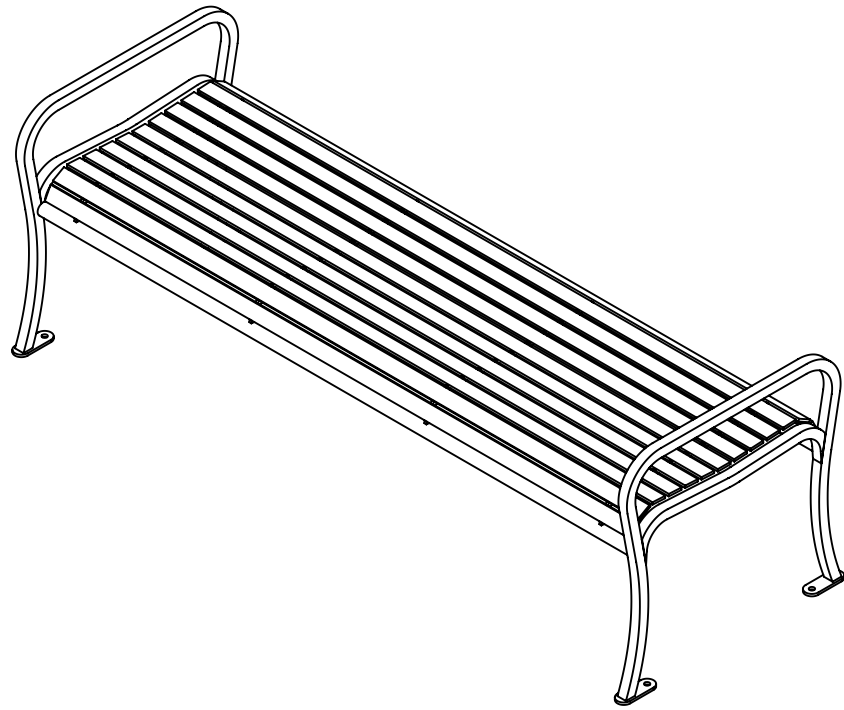
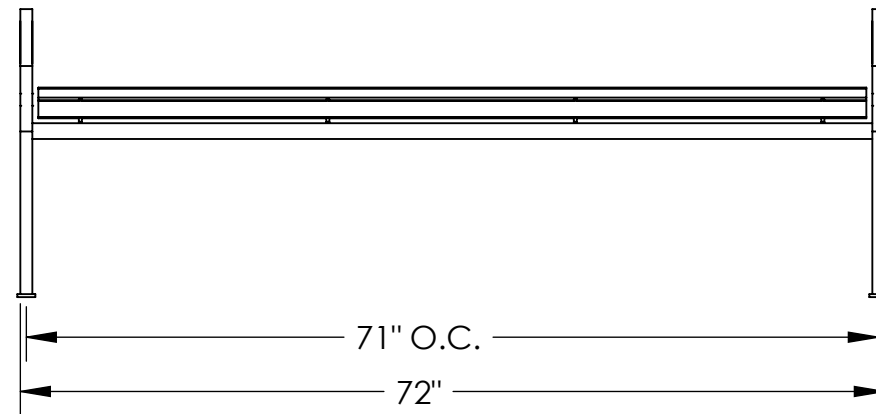




1240 North Van Buren Street - Suite 207
 Anaheim, California 92807 info@dmbraunco.com
 www.dmbraunco.com
 714-674-0855



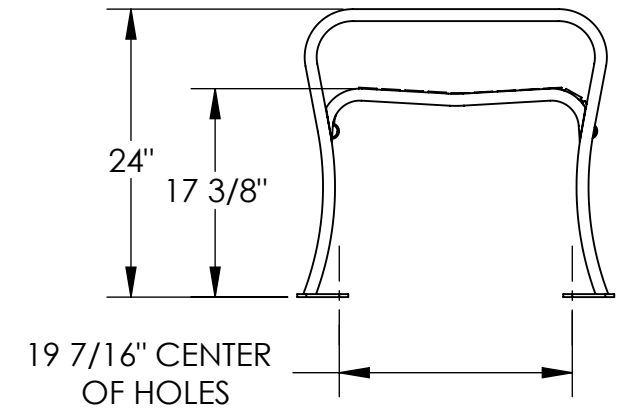
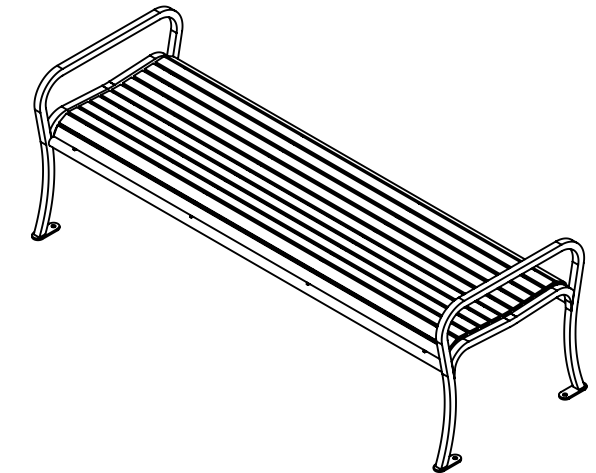
TOP VIEW



FRONT VIEW

Materials List

- (1) Seat Straps - 1/4" x 1 1/2" Steel Flat Bar
- (2) Support Straps - 1/4" Sheet Metal
- (3) End Units - 1" Square Solid Steel Bar
- (4) Support Pipes - ϕ 1.315" x .133" Steel Pipe
- (5) Surface Mount Plates - 1/4" x 1 1/2" Stainless Steel Plate With Tapped Mounting Hole
- (6) Mounted with Four ϕ 5/8" x 4-5" Stainless Steel Anchor Bolts (Customer Supplied)



RIGHT SIDE VIEW

COMMENTS: INCH TOLERANCES U.O.S. FRACTION--±1/16" ANG-----±1°		 1240 North Van Buren Street - Suite 207 Anaheim, California 92807 info@dmbraunco.com www.dmbraunco.com	
		Project Name: Center Street-6' Backless	
DWG. Name:		SIZE DWG. NO.	REV.
		CS-003	
		WEIGHT:	SHEET 1 OF 1