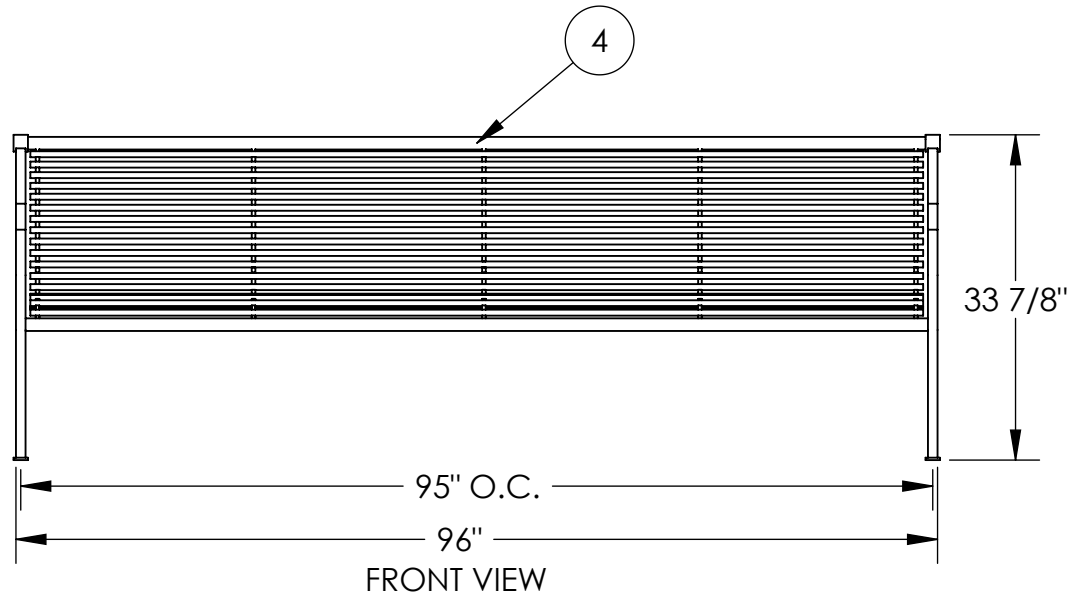
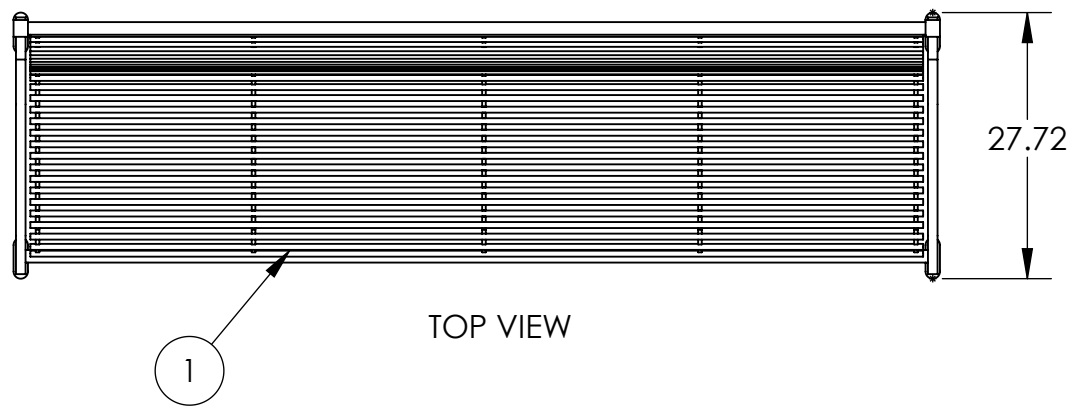
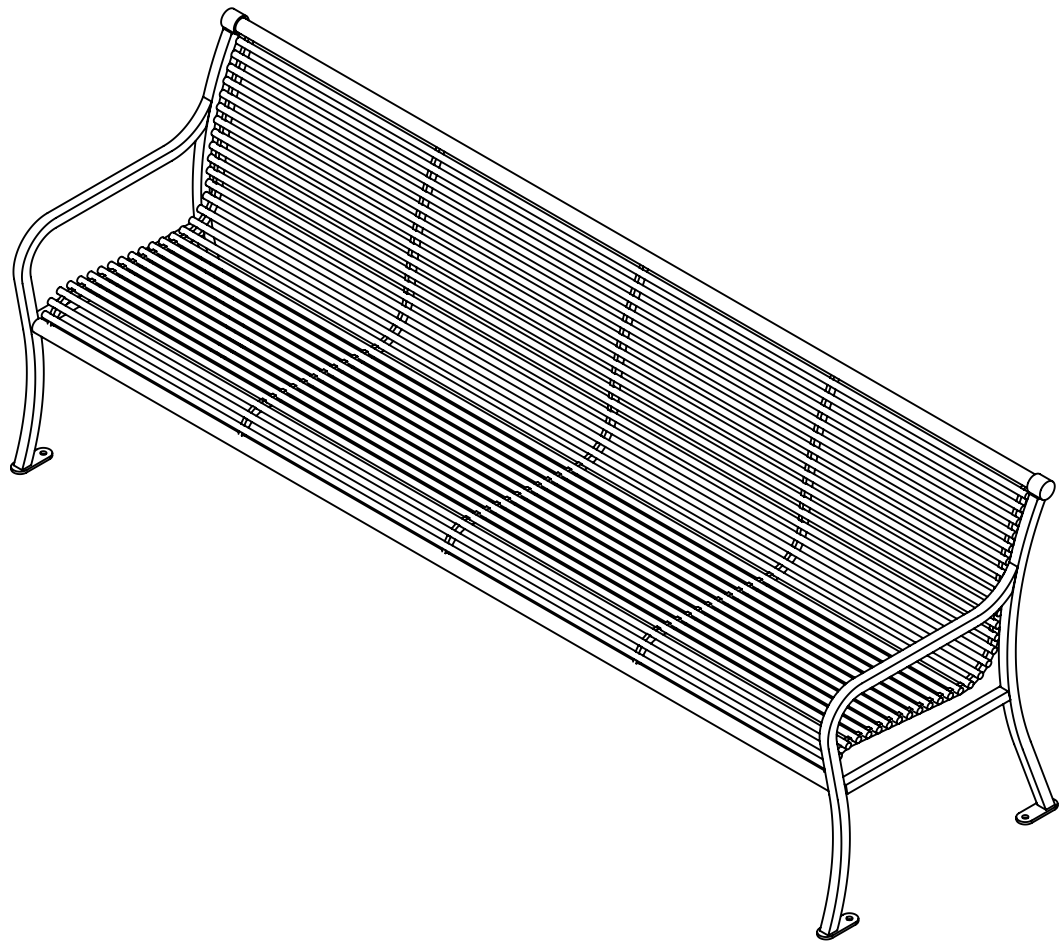
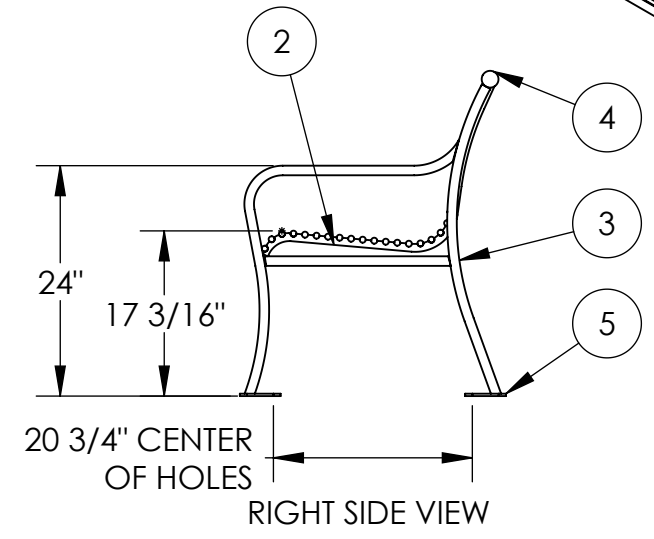
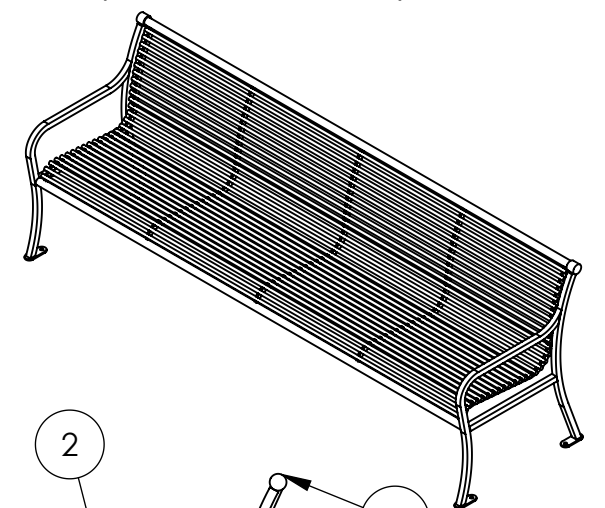




1240 North Van Buren Street - Suite 207
 Anaheim, California 92807 info@dmbraunco.com
 www.dmbraunco.com
 714-674-0855



- Materials List
- (1) Seat Straps - ϕ 5/8" Half Round Steel Bar
 - (2) Seat Support Straps - 3/8" Laser Cut Sheet Metal
 - (3) End Units - 1" Square Solid Steel Bar
 - (4) Support Pipes - ϕ 1.315" x .133" Steel Pipe
 - (5) Surface Mount Plates - 1/4" x 1 1/2" Stainless Steel Plate With Tapped Mounting Hole
 - (6) Mounted with Four ϕ 5/8" x 4-5" Stainless Steel Anchor Bolts (Customer Supplied)



COMMENTS: INCH TOLERANCES U.O.S. FRACTION--1/16" ANG-----1°		Project Name: MONTECITO BACKED-8'	
		DWG. NO. MC003	REV.
WEIGHT:		SHEET 1 OF 1	

PROPRIETARY AND CONFIDENTIAL

THE INFORMATION CONTAINED IN THIS DRAWING IS THE SOLE PROPERTY OF D.M.BRAUN. ANY REPRODUCTION IN PART OR AS A WHOLE WITHOUT THE WRITTEN PERMISSION OF D.M.BRAUN IS PROHIBITED.