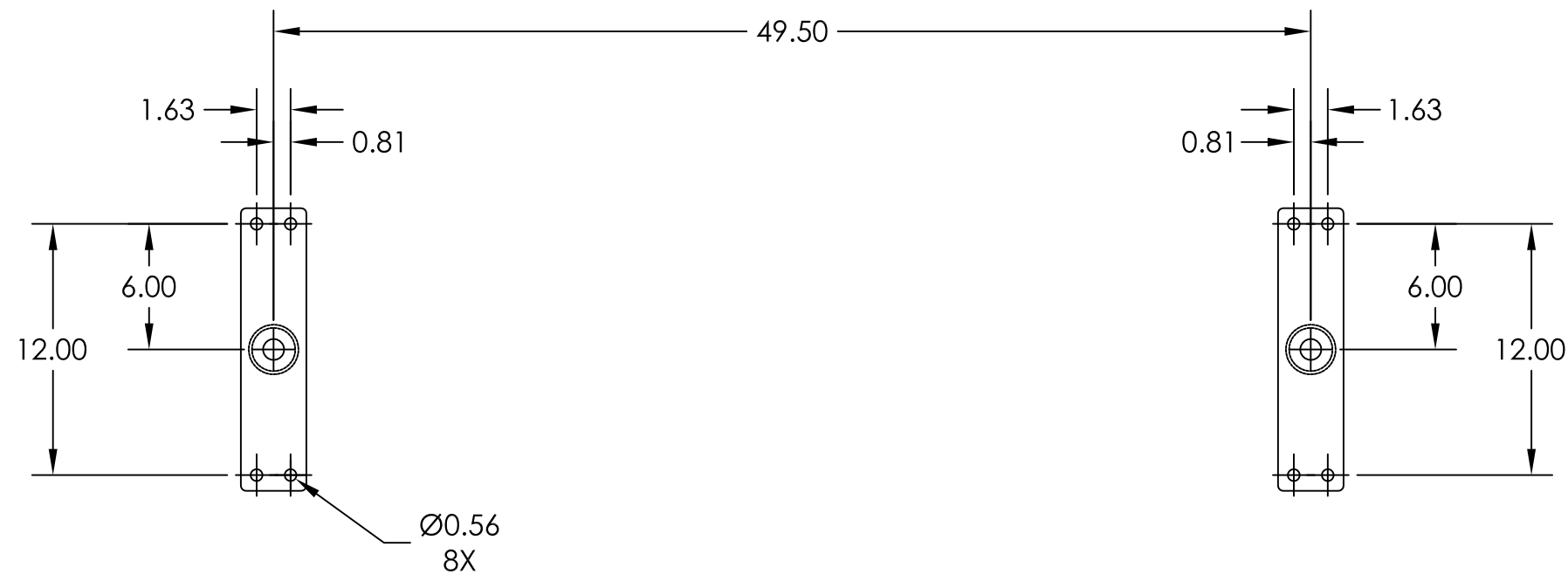
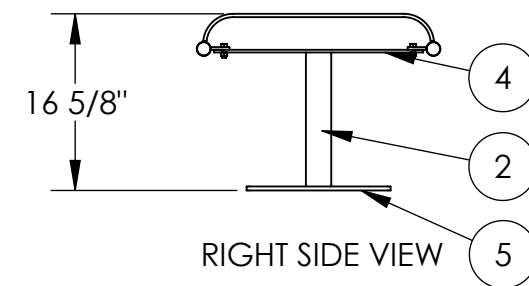
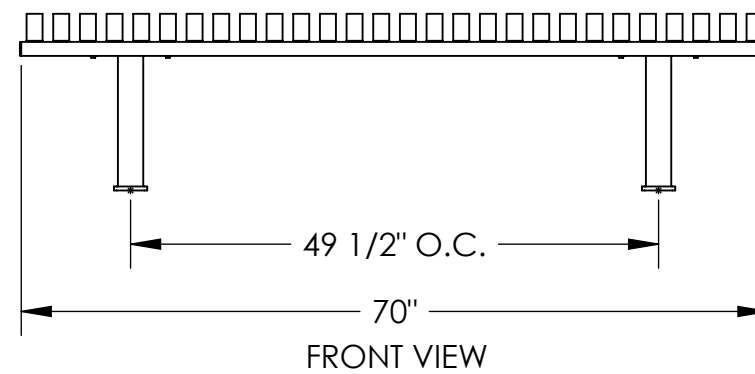
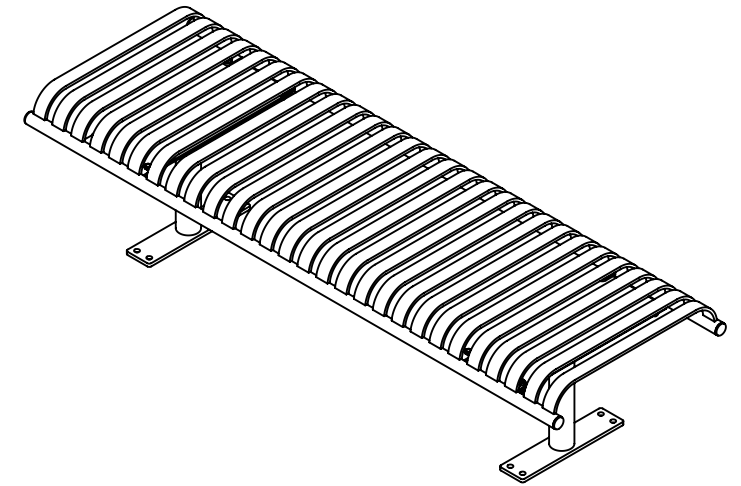
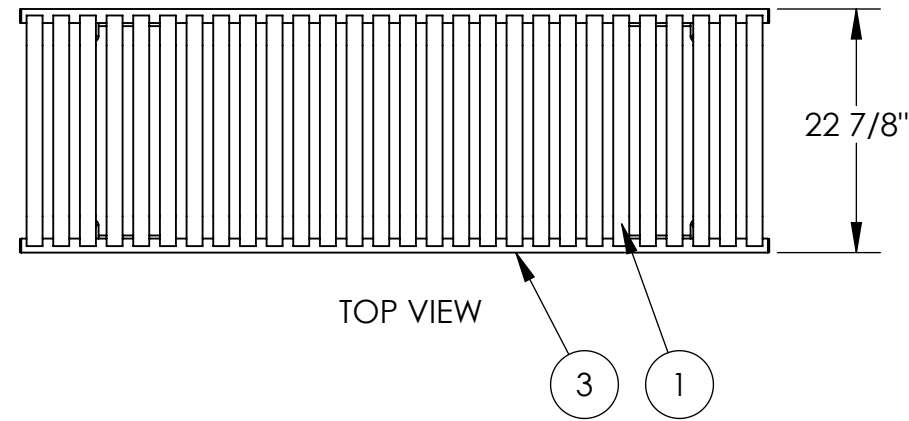
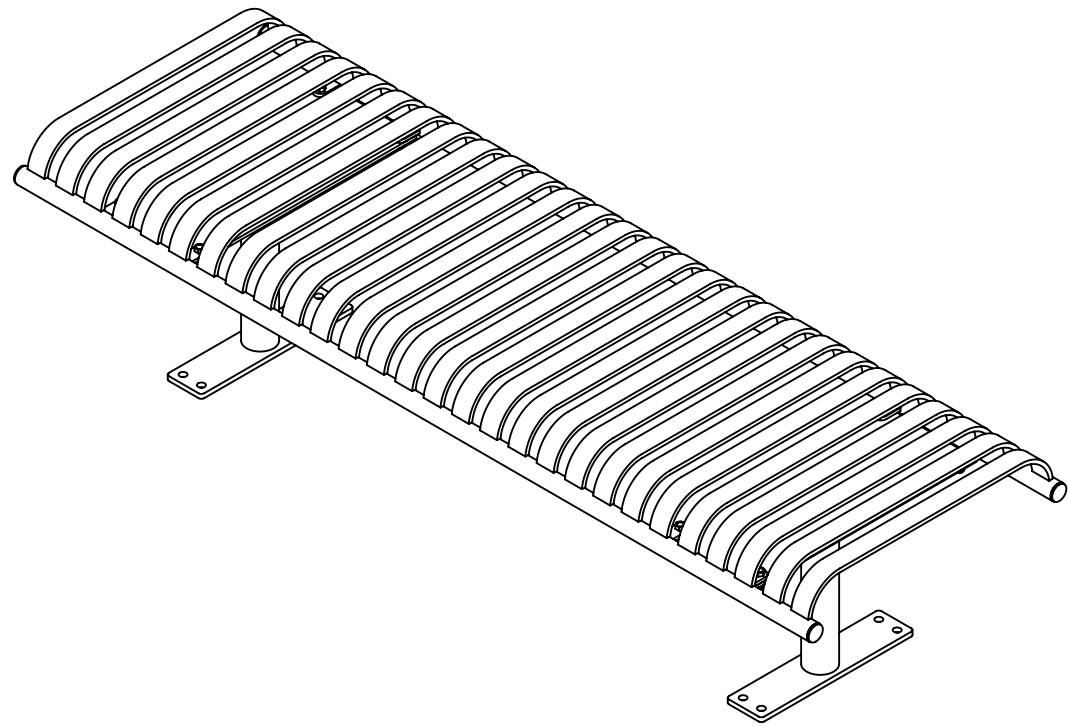




- Materials List
- (1) Seat Straps - 5/16" x 1 1/2" Steel Flat Bar
 - (2) Mounting Pipes - ϕ 2 3/8" x .154" Wall Steel Tubing
 - (3) Support Pipes - ϕ 1.315" x .133" Steel Pipe
 - (4) Support Plates - 1/4" Steel Plate
 - (5) Surface Mount Plates - 3/8" Stainless Steel Plate with ϕ 9/16" Mounting Holes
 - (6) Mounted with Eight ϕ 1/2" x 4-5" Stainless Steel Anchor Bolts (Customer Supplied)



BOTTOM MOUNTING DETAIL

NAME	DATE	
DRAWN	01.01.2019	
CHECKED	01.01.2019	
ENG APPR.	01.01.2019	
MFG APPR.	01.01.2019	
SCALE:		DWG. Name:
COMMENTS:	INCH TOLERANCES U.O.S. FRACTION--±1/16" ANG-----±1°	Project Name: Avenue One Bench- 0006
		SIZE DWG. NO. Ave-006
		WEIGHT: 375 lbs
		SHEET 1 OF 1