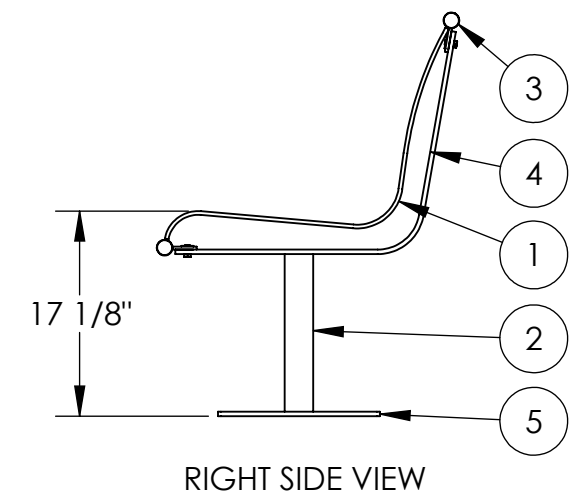
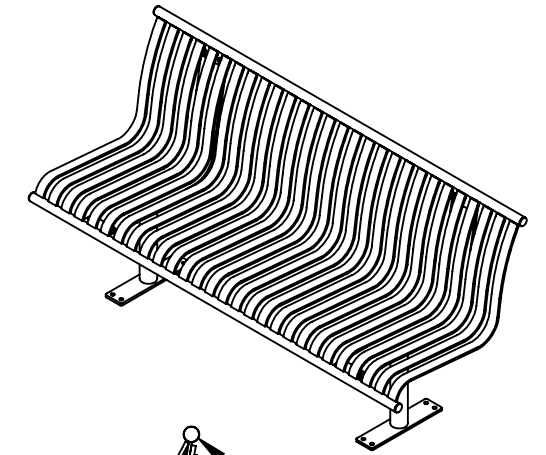


MATERIALS LIST:

- (1) Seat Straps - 5/16" x 1 1/2" Steel Flat Bar
- (2) Mounting Pipes - ϕ 2 3/8" x .154" Wall Steel Tubing
- (3) Support Pipes - ϕ 1.315" x .133" Steel Pipe
- (4) Support Straps - 3/8" x 4 1/2" Steel Flat Bar
- (5) Surface Mount Plates - 3/8" Stainless Steel Plate with ϕ 9/16" Mounting Holes
- (6) Mounted with Eight ϕ 1/2" x 4-5" Stainless Steel Anchor Bolts (Customer Supplied)



NAME	DATE	
DRAWN	01.01.2019	
CHECKED	01.01.2019	
ENG APPR.	01.01.2019	
MFG APPR.	01.01.2019	
SCALE:		DWG. Name:
COMMENTS:	INCH TOLERANCES U.O.S. FRACTION-- \pm 1/16" ANG----- \pm 1°	Project Name: Avenue One Bench- 0002
		SIZE DWG. NO. Ave-002
		WEIGHT: 375 lbs
		SHEET 1 OF 1

PROPRIETARY AND CONFIDENTIAL
THE INFORMATION CONTAINED IN THIS DRAWING IS THE SOLE PROPERTY OF D.M.BRAUN . ANY REPRODUCTION IN PART OR AS A WHOLE WITHOUT THE WRITTEN PERMISSION OF D.M.BRAUN IS PROHIBITED.