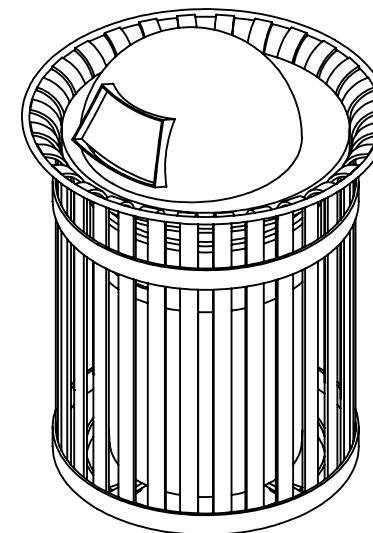
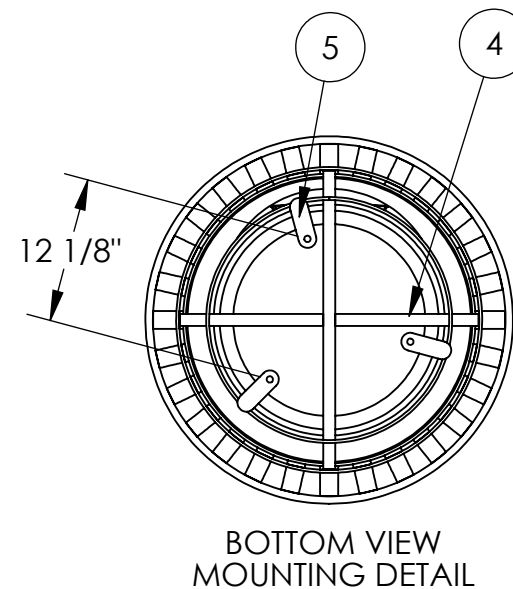
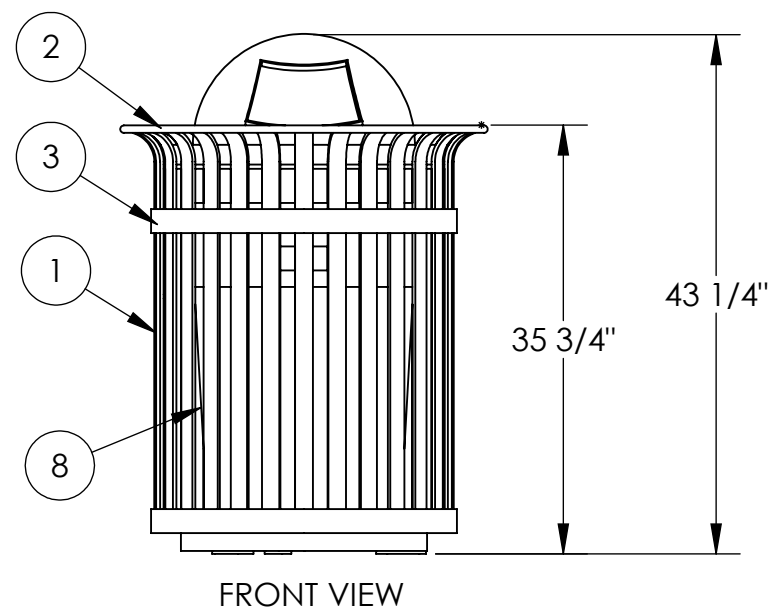
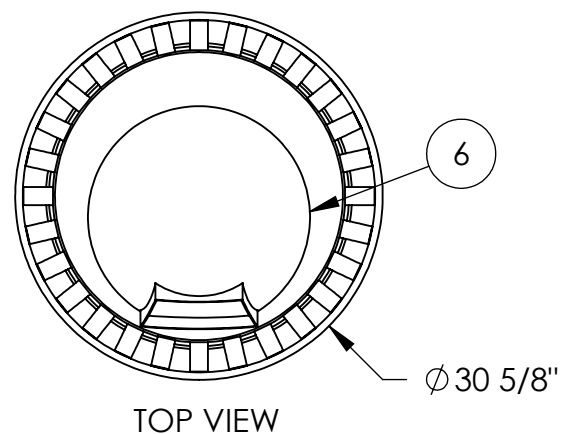
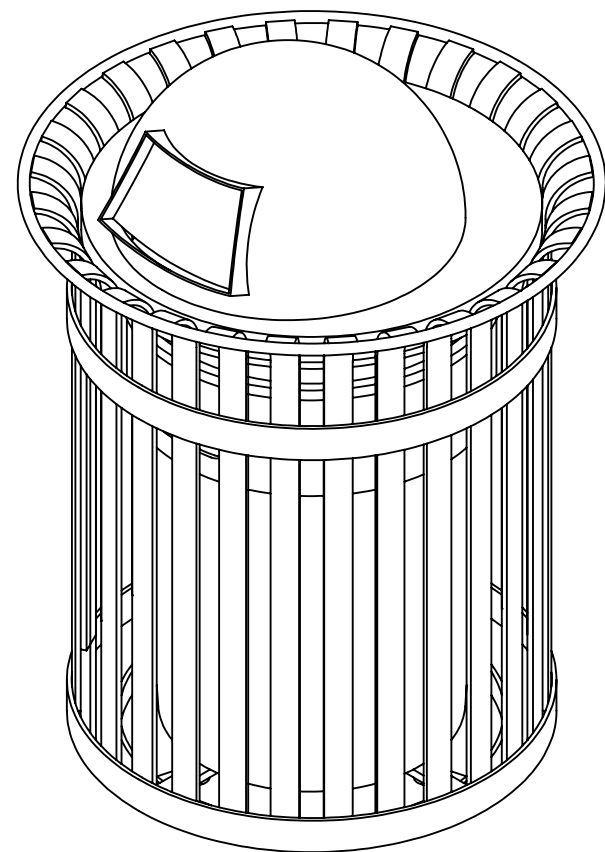




1240 North Van Buren Street - Suite 207
 Anaheim, California 92807 info@dmbraunco.com
 www.dmbraunco.com
 714-674-0855



Materials List

- (1) Vertical Straps - 5/16" x 1 1/2" Steel Flat Bar
- (2) Top Ring - ϕ 5/8" Steel Round Bar
- (3) Support Rings - 1/4" x 2" Steel Flat Bar
- (4) Support Bars - 1/2" x 1" Steel Flat Bar
- (5) Surface Mount Plates - 1/4" x 1 1/2" Stainless Steel Plate with 9/16" Mounting Hole
- (6) Lid - ϕ 24" with Hinging Door Attached to Basket with Stainless Steel Airline Cable
- (7) Mounted with Three ϕ 1/2" x 4-5" Stainless Steel Anchor Bolts (Customer Supplied)
- (8) 32 Gallon Rigid Plastic Liner with Handles Included

PROPRIETARY AND CONFIDENTIAL

THE INFORMATION CONTAINED IN THIS DRAWING IS THE SOLE PROPERTY OF D.M.BRAUN. ANY REPRODUCTION IN PART OR AS A WHOLE WITHOUT THE WRITTEN PERMISSION OF D.M.BRAUN IS PROHIBITED.

| | | | |
|---|--|--|------|
| COMMENTS: INCH TOLERANCES U.O.S. FRACTION-- \pm 1/16" ANG----- \pm 1° | | 1240 North Van Buren Street - Suite 207 Anaheim, California 92807 info@dmbraunco.com www.dmbraunco.com | |
| | | DWG. Name: | |
| Project Name: AVENUE ONE-32 GAL FULL ENCLOSED DOME LID | | SIZE: | REV. |
| DWG. NO. | | AVE-LR003-DLFE | |
| WEIGHT: | | SHEET 1 OF 1 | |