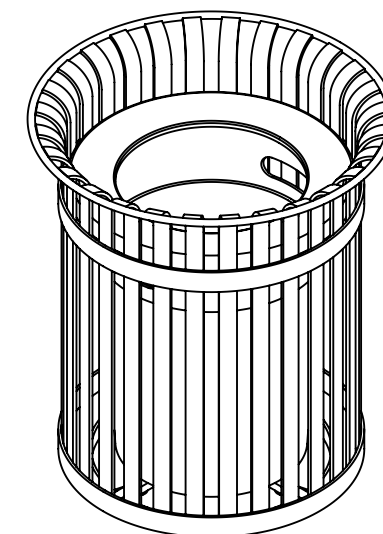
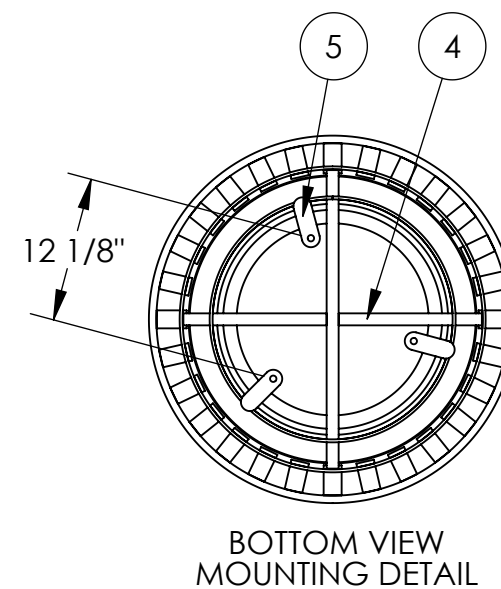
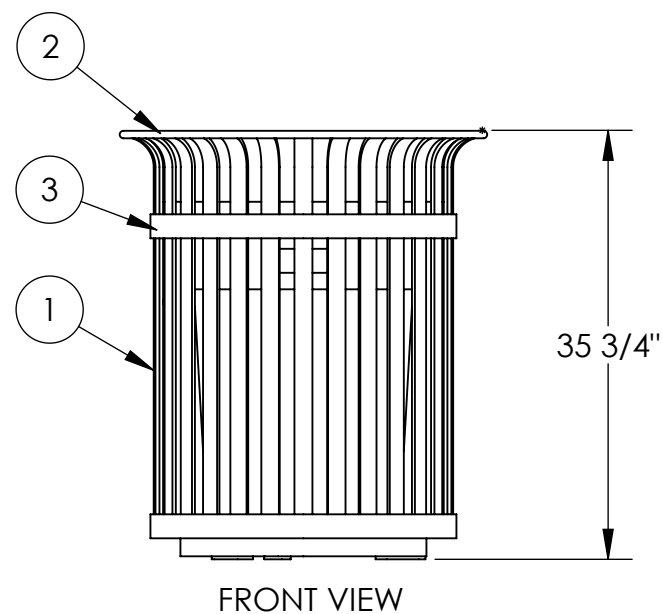
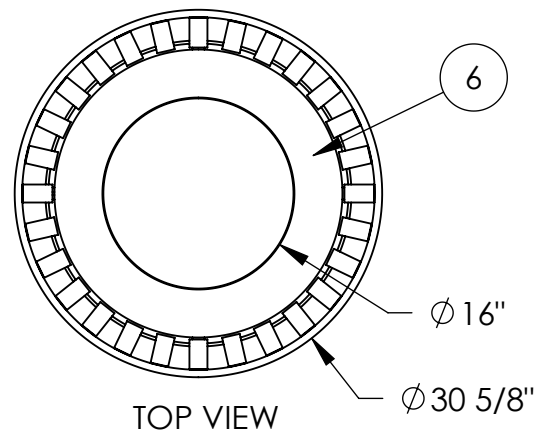
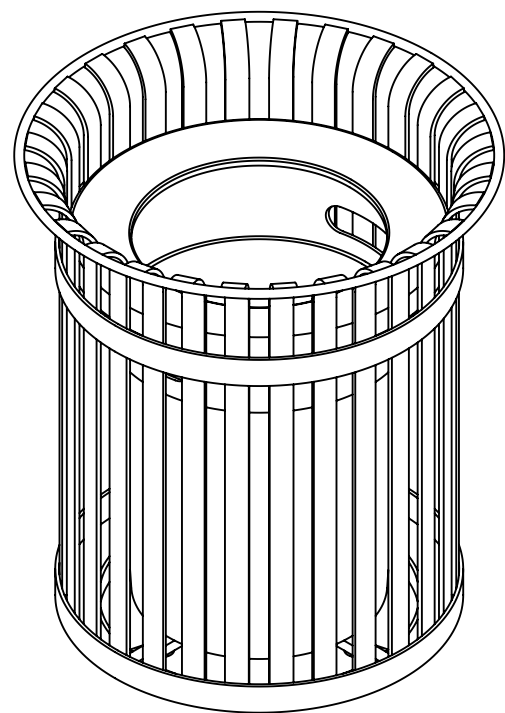




1240 North Van Buren Street - Suite 207  
 Anaheim, California 92807 info@dmbranco.com  
 www.dmbranco.com  
 714-674-0855



**Materials List**

- (1) Vertical Straps - 5/16" x 1 1/2" Steel Flat Bar
- (2) Top Ring -  $\phi$  5/8" Steel Round Bar
- (3) Support Rings - 1/4" x 2" Steel Flat Bar
- (4) Support Bars - 1/2" x 1" Steel Flat Bar
- (5) Surface Mount Plates - 1/4" x 1 1/2" Stainless Steel Plate with 9/16" Mounting Hole
- (6) Lid -  $\phi$  24" x .075" Wall Steel Lid Attached to Basket with Stainless Steel Airline Cable
- (7) Mounted with Three  $\phi$  1/2" x 4-5" Stainless Steel Anchor Bolts (Customer Supplied)
- (8) 32 Gallon Rigid Plastic Liner with Handles Included

|   |  |  |  |
|---|--|--|--|
| COMMENTS: INCH TOLERANCES U.O.S.<br>FRACTION--1/16"<br>ANG-----1° |  | <br>1240 North Van Buren Street - Suite 207<br>Anaheim, California 92807 info@dmbranco.com<br>www.dmbranco.com |  |
|   |  | Project Name: AVENUE ONE-32 GAL FLAT LID   |  |
| DWG. Name:  |  | SIZE   DWG. NO.   REV.   |  |
| WEIGHT:   |  | SHEET 1 OF 1   |  |