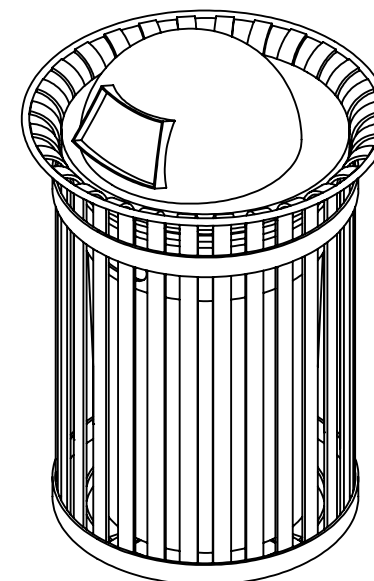
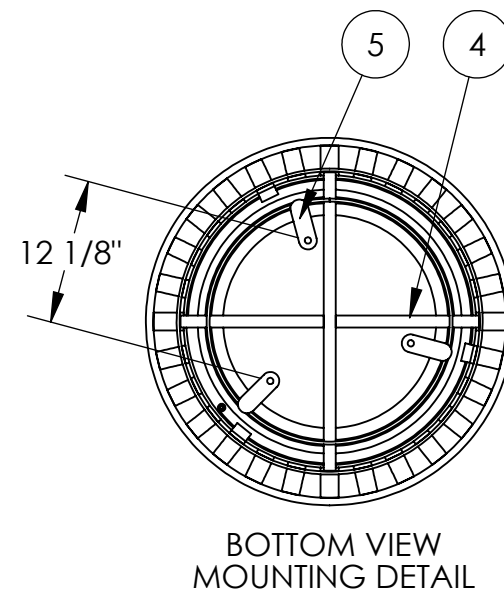
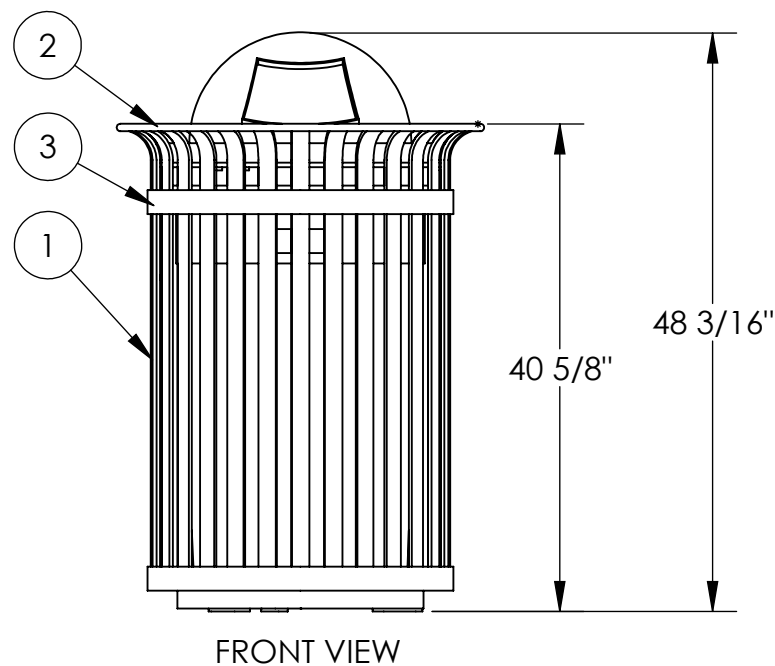
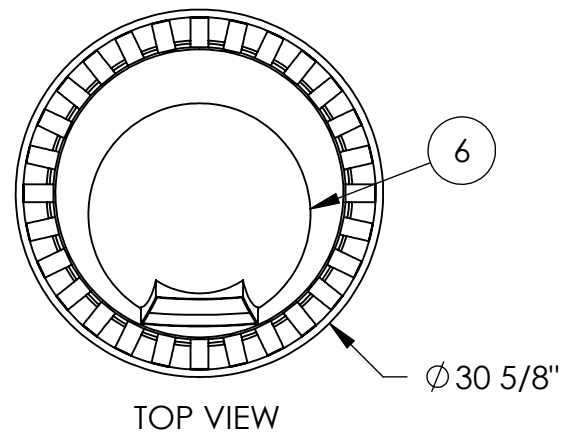
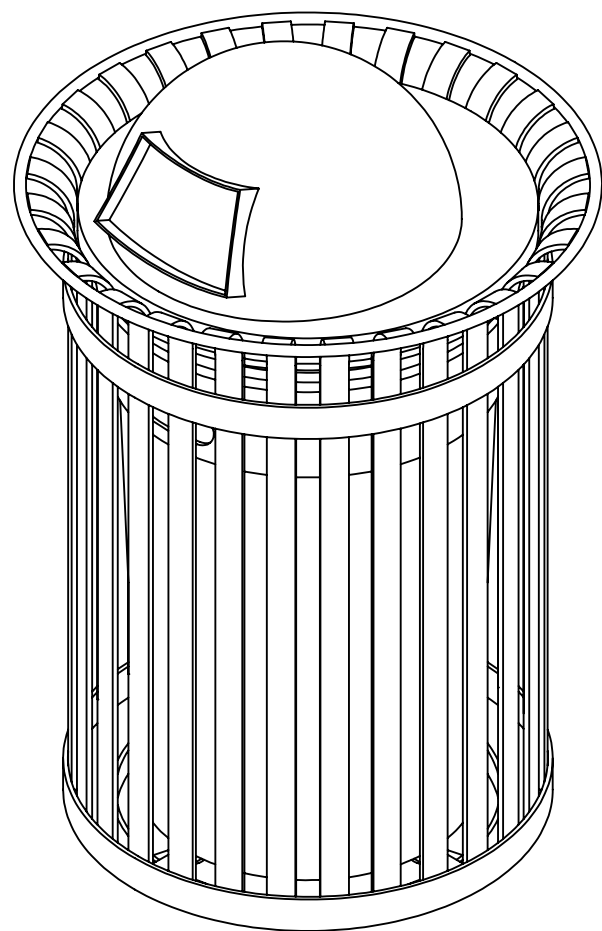




1240 North Van Buren Street - Suite 207
 Anaheim, California 92807 info@dmbranco.com
 www.dmbranco.com
 714-674-0855



Materials List

- (1) Vertical Straps - 5/16" x 1 1/2" Steel Flat Bar
- (2) Top Ring - ϕ 5/8" Steel Round Bar
- (3) Support Rings - 1/4" x 2" Steel Flat Bar
- (4) Support Bars - 1/2" x 1" Steel Flat Bar
- (5) Surface Mount Plates - 1/4" x 1 1/2" Stainless Steel Plate with 9/16" Mounting Hole
- (6) Lid - ϕ 24" with Hinging Door Attached to Basket with Stainless Steel Airline Cable
- (7) Mounted with Three ϕ 1/2" x 4-5" Stainless Steel Anchor Bolts (Customer Supplied)
- (8) 40 Gallon Rigid Plastic Liner with Handles Included

COMMENTS: INCH TOLERANCES U.O.S. FRACTION--1/16" ANG-----1/4"		 1240 North Van Buren Street - Suite 207 Anaheim, California 92807 info@dmbranco.com www.dmbranco.com		
		Project Name: AVENUE ONE-40 GAL FULL ENCLOSED DOME LID		
DWG. Name:		SIZE:	DWG. NO.: AVE-LR001-DLFE	REV.:
WEIGHT:		SHEET 1 OF 1		